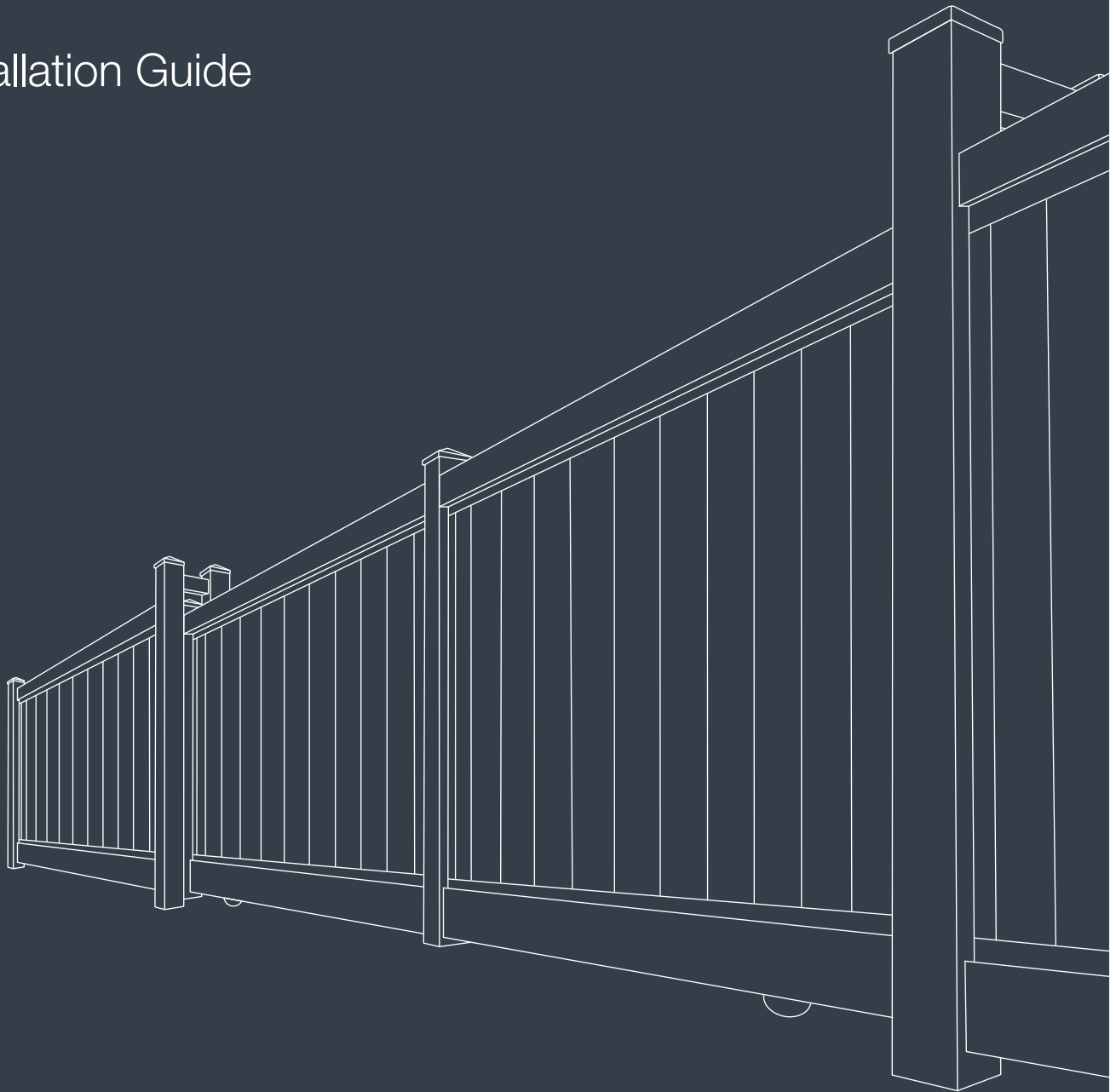


Residential & Rural Fencing Sliding Gates - Single Bridge.

Installation Guide



thinkfencing
The Thoroughbred of Fences



Contents

Getting Started	4
Important Information	4.1
Tools Required	5
Instructions	6

Getting Started

Congratulations on your new Think Fencing Gate System.

Grand, elegant and beautiful would be one way to describe a Think Fencing gate. Gates are an often overlooked part of any fence. Gates are the only moving part of your fencing system, they must withstand constant opening and closing, whilst maintaining a seamless continuation of your fence.

Our PVC gates are engineered to last. Our fabrication team build these complete with steel components internally, adding strength and integrity to your beautiful custom gate.

Our Sliding gates are unequally designed like our patent pending technology, giving you the ability to manually fine tune the installed height to match your fence.

We have also deigned our own concealed gate stop guides, meaning no unsightly brackets are hidden from view.

Gate Features:



DIY
Installation



Eco
Friendly



Australian
Made



Lifetime
Warranty



Never Paint
Again



Graffiti
Resistant

Important Information - 4.1

Do not use rapid set concrete. It will continue to absorb moisture, expanding inside posts and voiding the warranty. Think Fencing recommends using premixed 25mpa/10mm aggregate.

Once installed the height of the sliding gate can be adjusted 20mm up or down to match the height of your fence. If the wheel heights are adjusted you will need to swap between the bolts every 4 quarter turns to ensure the wheel housing stays level and is adjusted evenly.

Tools Required.

What you will need
to get the job done.



Shovel



Tape Measure



Pencil



Safety Glasses



Pre Mix Concrete
**not rapid set*



String Line



Spirit Level



Drill/Driver



Line Marking Paint



Rio Mesh



Angle Grinder/
Drop Saw

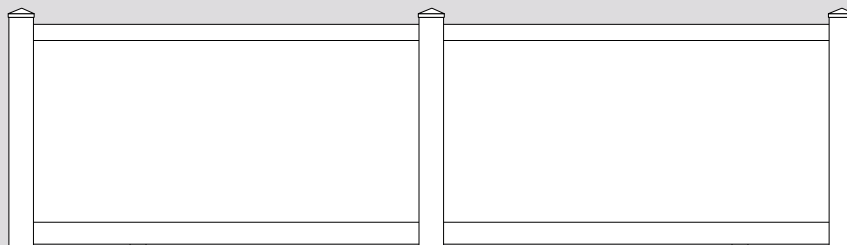


Ratchet

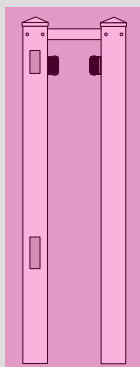
Parts.

What you will have.

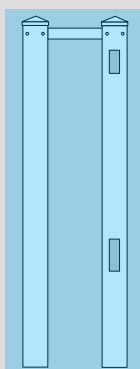
1 × pre-assembled gate



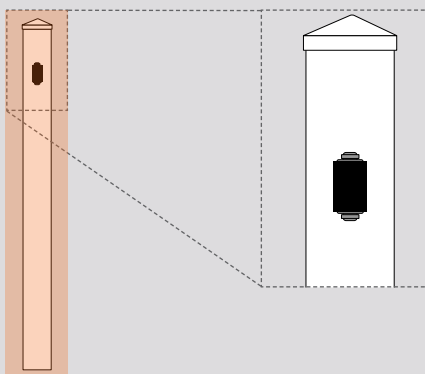
1 × Bridge assembly with roller guide



1 × End Bridge



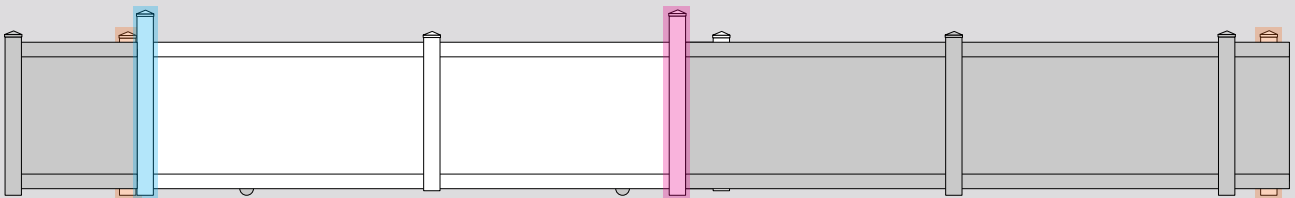
2 × end post gate stop



Finished Layout. What it will look like once it's done.

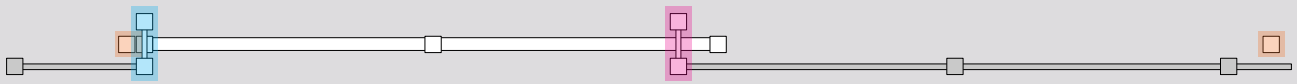


Front view



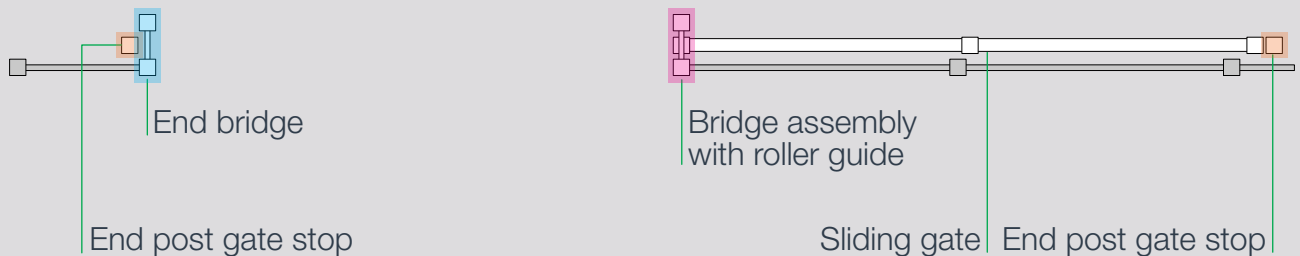
Top view gate closed

Inside property



Outside property

Top view gate open



Please Note: Examples are showing a right hand side opening solid design.

1 String line and post spacings

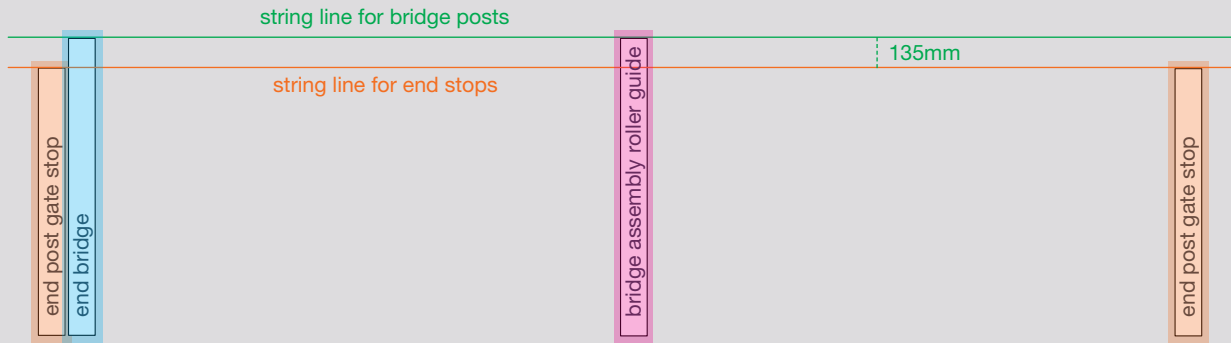
1.1 String line

Prepare the site ensuring you don't have any significant undulations. You can then run two string lines, one along the top of the bridge posts and one along the top of the end posts.

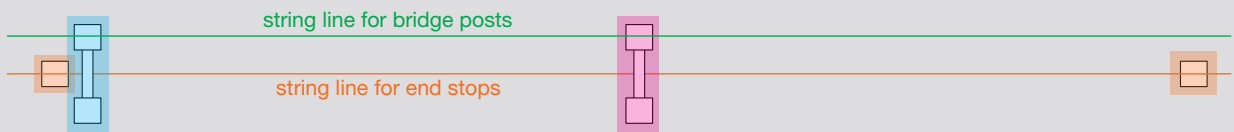
The bridge post string line will be 135mm higher than the fence posts.

Please Note: The bridge posts must sit 135mm above the fence posts otherwise the gate won't fit under the bridge assembly.

Side view



Top view



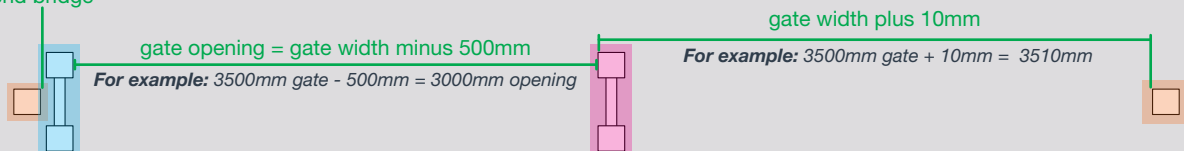
What you will need:

1.2 Post spacing

Mark out post spacings and ensure that posts are in the correct position.

The spacing between the bridge assemblies will be determined by the gate openings.

10mm between end post gate stop and end bridge



Please Note: Examples are showing a right hand side opening solid design.



What you will need:

2 Concrete foundation

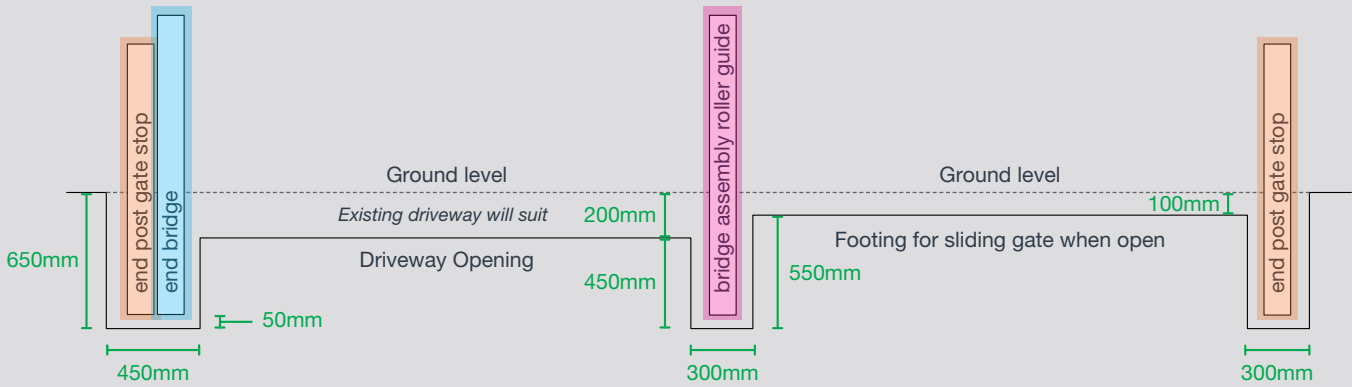
2.1 Dig Footings

Dig footings according to the diagrams below.

You will need to purchase reo mesh to lay in the footing before concreting over.

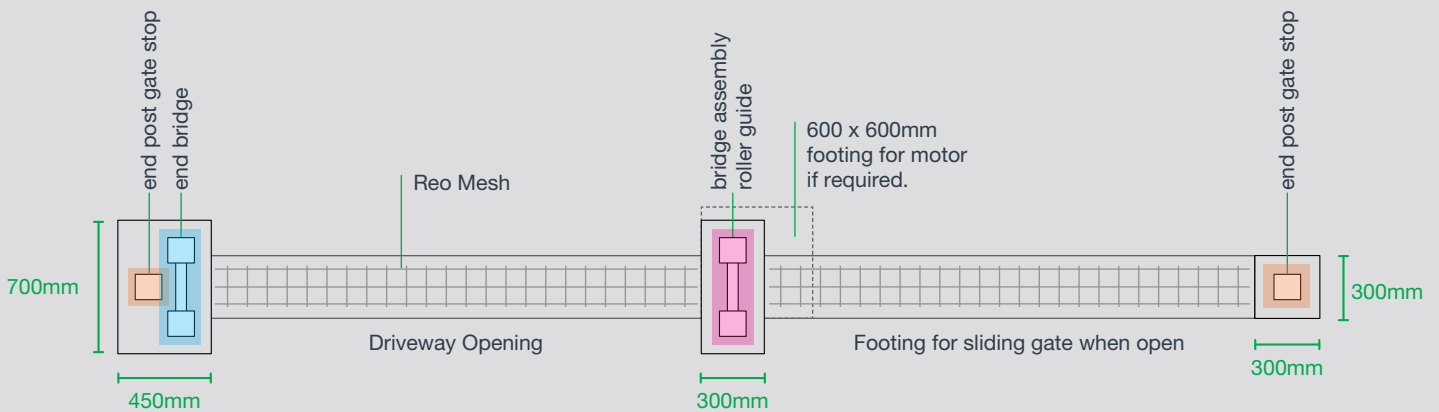
Please Note: If your existing driveway is practical and suitable foundation to fix the sliding gate and track to, you only need to create a shallow footing for the gate to open on to.

Side view



Please Note: Reo Mesh may need to be trimmed to fit around posts.

Top view



Please Note: Examples are showing a right hand side opening solid design.

What you will need:

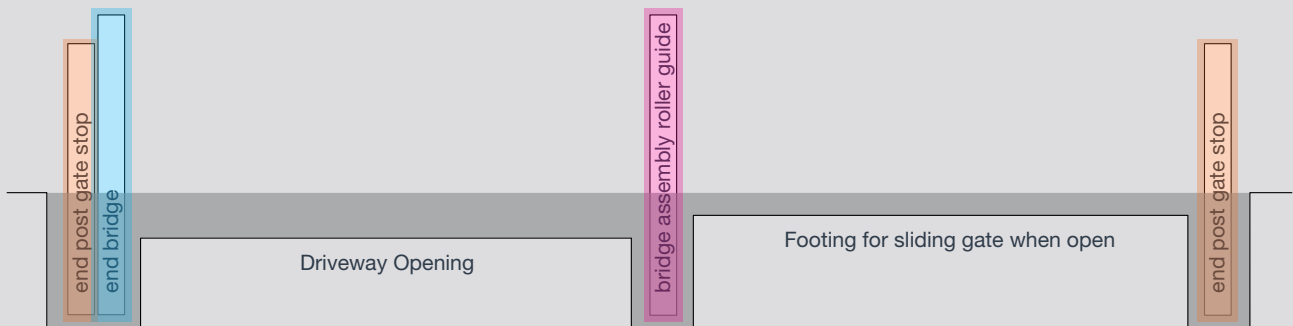


2.2 Pour concrete

First put the post into the ground then pour in the concrete. Lift the post and push it back into the concrete allowing the concrete to travel up the core of the post.

Position the post using a string line.

Be mindful that the bridge posts will sit 135mm higher than the fence posts.



What you will need:

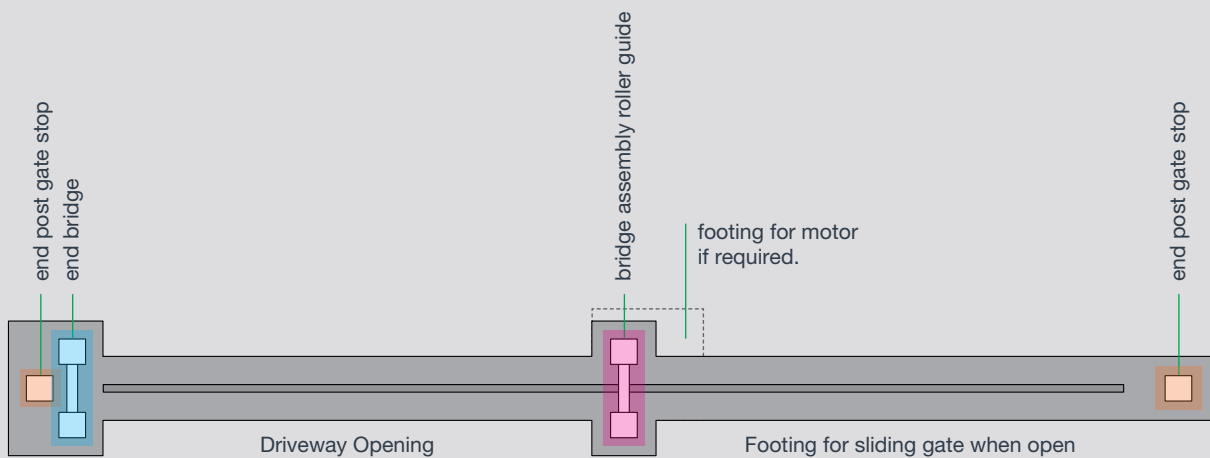
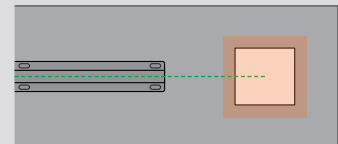
3 Tracking

3.1 Installing tracking

Once concrete has cured, lay the tracking ensuring that it is centred between the end posts.

Pre drill holes then anchor in place.

Please Note: The tracking must be in the centre of the end post. If it is off centre the gate will not sit in line with the posts.



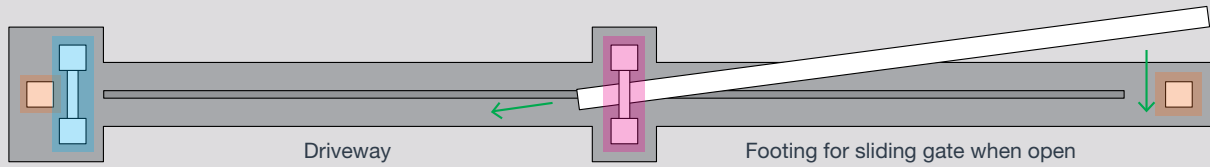
Please Note: Examples are showing a right hand side opening solid design.

What you will need:

4 Sliding gate

4.1 Installing the sliding gate

Slide the gate between the bridge assembly roller guide and push it through then slide the sliding gate onto the tracking.

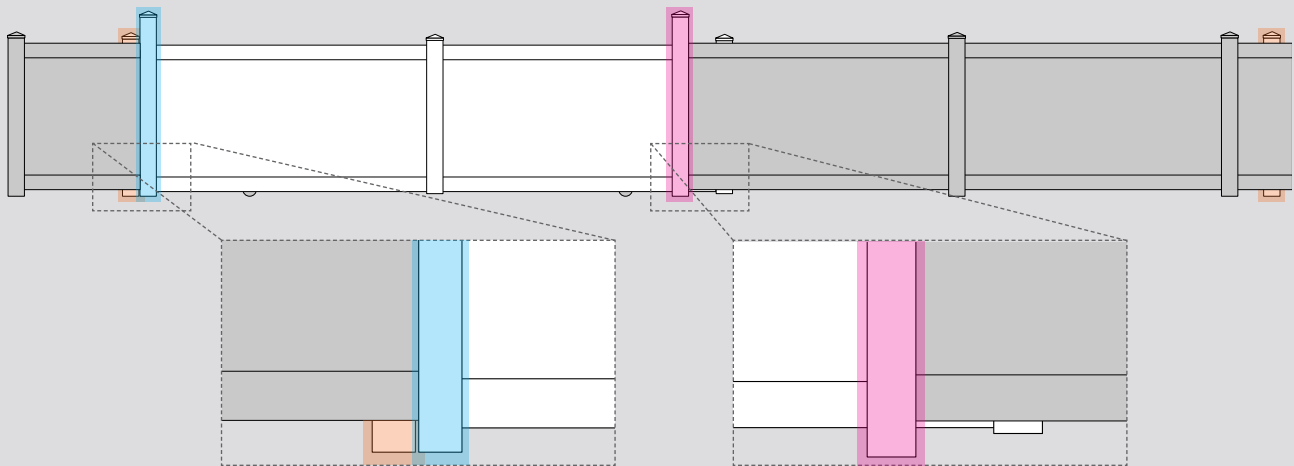


4.2 Adjusting the wheels

The gates are manufactured with the wheels set to have 50mm ground clearance.

If your gate is not level with your fence or you wish to adjust the height you can do so by following the steps below.

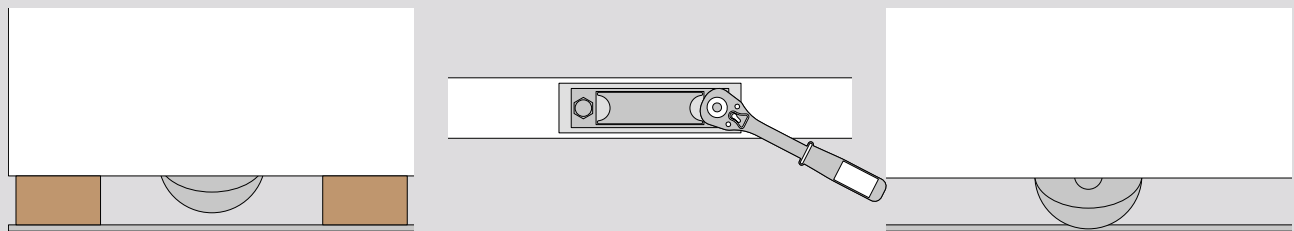
Our adjustable system can accommodate 20mm travel up or down from its set position.



1. Make sure your gate is installed and in the closed position. Lift gate up and insert a block under the gate to take the pressure off the wheels.

2. Then adjust the wheels with a ratchet alternating between bolt heads every 4 quarter turns to ensure the wheel housing stays level.

3. Repeat until the gate is at the desired height, lift gate and remove the block.



Please Note: Examples are showing a right hand side opening solid design.

What you will need:





thinkfencing
The Thoroughbred of Fences

Head Office:

2415 Geelong/Portarlinton Road,
Portarlinton, 3223 Victoria Australia

P. +613 5259 2555

E. sales@thinkfencing.com.au

www.thinkfencing.com.au