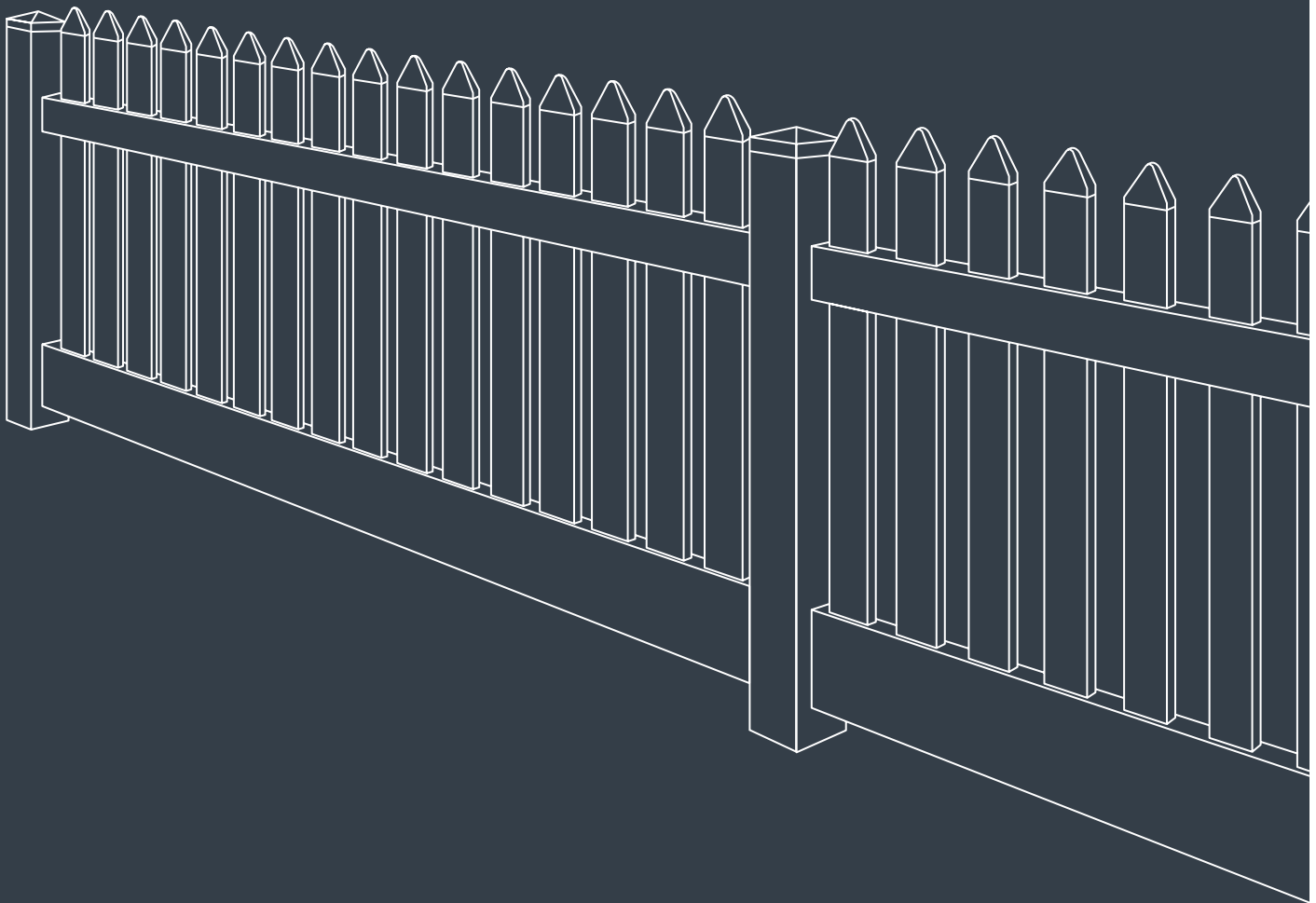


# Residential Fencing

## Picket.

### Installation Guide



**thinkfencing**  
The Thoroughbred of Fences



Wren Picket Fence – White

# Contents

Getting Started	4
Installation Tips	4.1
Shortening a Panel	4.2
Tools Required	5
Instructions	6

# Getting Started

Congratulations on your new Think Fencing Picket Fencing System.

We take great pride in the quality of our workmanship with all our picket and garden fences. No nails or screws required! Think Fencing's picket fence installation is made simple with our special interlocking tabs that join the rail to the posts, so there is no need for fixing parts – consequently maintenance is minimal for the life of your picket fence.

## Picket Fencing Features:



DIY Installation



Eco Friendly



Australian Made



Limited Lifetime Warranty



Never Paint Again



Graffiti Resistant

## Installation Tips - 4.1

- ✓ Install the fence on a still day as wind can make the string line move.
- ✓ Mow any grass and level fence line prior to allow for easier installation.
- ✓ For planning purposes each hole will require 0.045m<sup>3</sup> of concrete. **Do not use rapid set concrete.** It will continue to absorb moisture, expanding inside posts and voiding the warranty. Think Fencing recommends using premixed 25mpa/10mm aggregate.
- ✓ When concreting the post, Think Fencing recommend to first put the post into the ground, pour the concrete in, then lift and push it back into the concrete. This method allows the concrete to travel up the post core.
- ✓ If you have sandy/loose soil, Think Fencing recommends that you increase your hole size and amount of concrete to create a bigger foundation.
- ✓ Creating a gauge with a piece of timber or plastic allows you to easily check the measurement between posts.
- ✓ **Keep a rasp handy to open the slots up if the rail are difficult to slide in or if the fence is on a slope.**
- ✓ The fence can already accommodate a 1-degree rake. Anything larger than this will require increasing the length of the slot by rasping it out on site or have Think Fencing provide custom routed posts.  
If the fence is to be installed around a corner with an angle
- ✓ between 5 – 45 degree the rail slot width can be increased using a rasp to allow for a greater angle.
- ✓ When crimping, make sure that the crimp is facing outwards. The crimp is designed to allow you to push the rail into the post but not pull out.

## Shortening a Panel - 4.2

- ✓ All PVC components can be cut using a saw or angle grinder to enable you to shorten a panel. When cutting rails, a general rule is to measure between posts and add 80mm. This allows an additional 40mm of rail to go into each post.
- ✓ If using a drop saw, it is recommended to use an Aluminum cutting blade for the best cut and ensure you cut slowly through the rail so the teeth don't grab.

# Tools Required.

What you will need  
to get the job done.



Shovel



Tape Measure



Rasp



Pre Mix Concrete  
*\*not rapid set*



Line Marking Paint



String Line



Spirit Level



Silicon Gun/  
Clear PVC glue



Safety Glasses



Rubber Mallet



Crimper



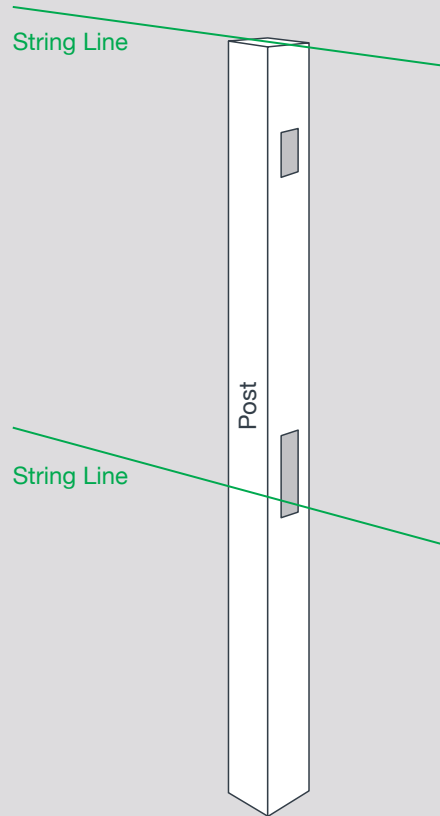
Angle Grinder/  
Drop Saw



Crowbar

# 1

Prepare the site ensuring you don't have any significant undulations. You can then run two string lines, one along the top and side of the posts.



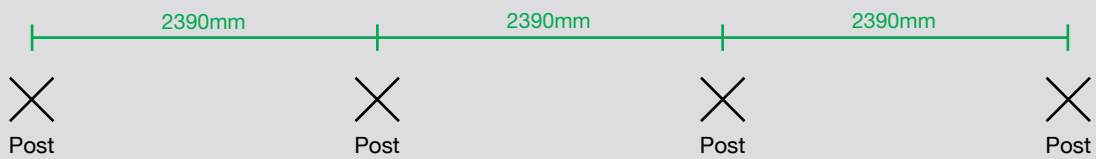
What you will need:



**Please Note:** Think Fencing recommends checking with location services or contacting dial before you dig to make sure it is safe to dig.

# 2

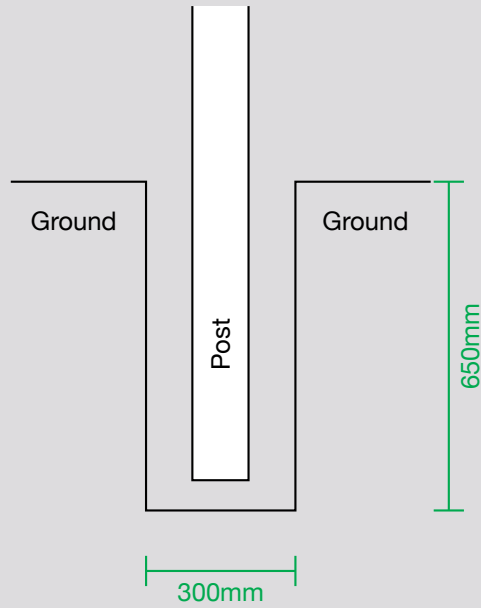
Mark your post centres as required using line marking paint. This is where you will dig the post holes.



What you will need:



# 3



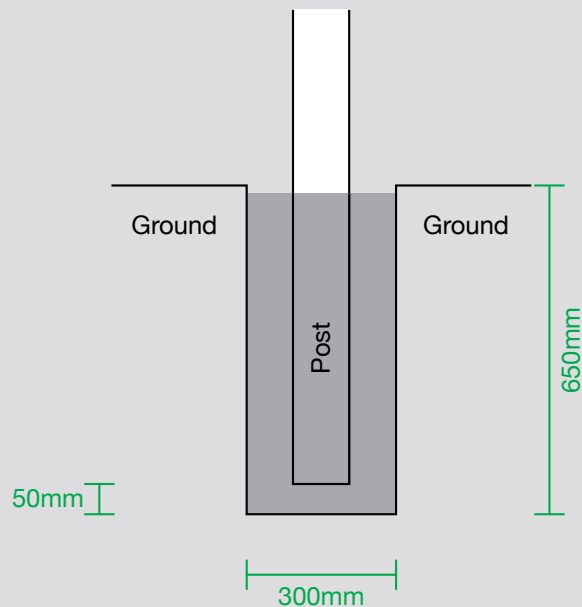
The holes must be at least 300mm wide and 650mm deep. The post needs to go into the concrete 600mm deep leaving a 50mm solid concrete foundation.

**Please note:** *If you have sandy/loose soil, Think Fencing recommends that you increase your hole size and amount of concrete to create a bigger foundation.*

What you will need:



# 4

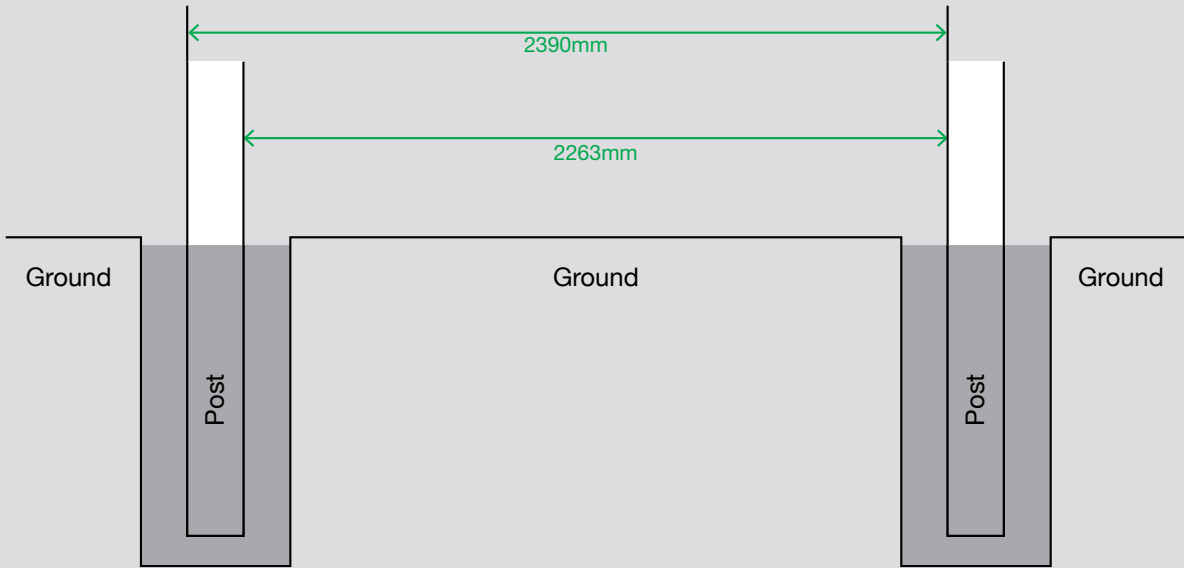


Fill the hole with wet mix concrete, then push the post into the hole allowing concrete to flow up the core of the post. Position the post using a string line and spirit level to ensure plumb. Use the rubber mallet to fine tune the post height.

What you will need:



# 5



Concrete the next post.

Its easier to accurately measure the post spacing from the inside edge of two posts rather than the centres.

This measurement is the centre to centre post spacing that you used to mark the holes (as specified) minus the thickness of one post.

**For example:** *Post spacing centre to centre (2390mm) minus thickness of one post (127mm) = 2263mm*

What you will need:



# 6

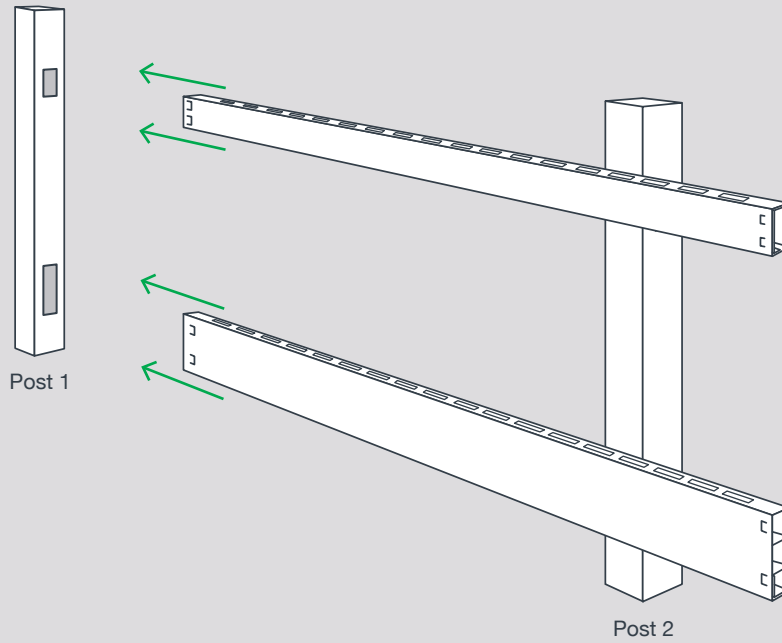
Crimp both ends of the bottom and top rail twice on both ends.

What you will need:





**Please note:** The rails will have side to side movement if the crimping marks are too far apart. To combat this you can add screws to the back of your posts hold the rails in place.

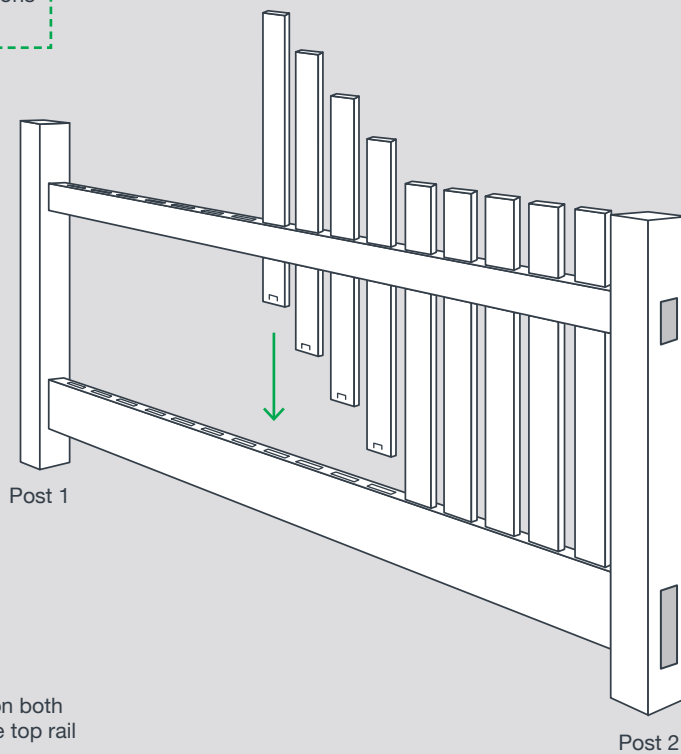


# 7

After the post concrete has set insert the top and bottom rail into post 1 until the rail clears post 2.

Slide the rail back into post 2 then centre.

For Wren and Rosella instructions proceed to page 10



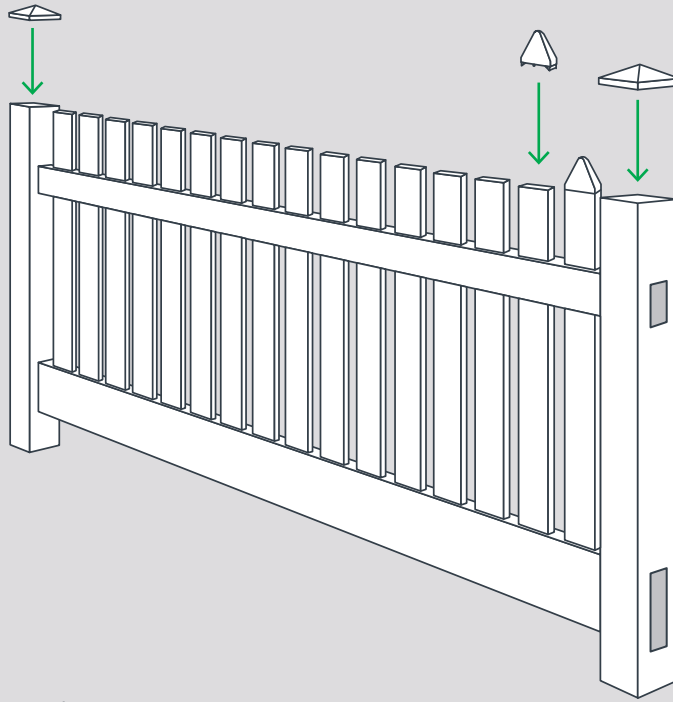
# 8

Crimp the bottom of the pickets on both sides. Slide the picket through the top rail and into the bottom rail.

If your fence is Kookaburra, Toucan or Kestrel make sure your pickets are in the correct order. Follow the picket sequence schedule provided.

**What you will need:**





# 10

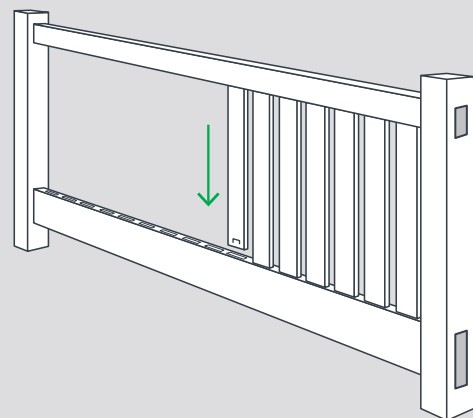
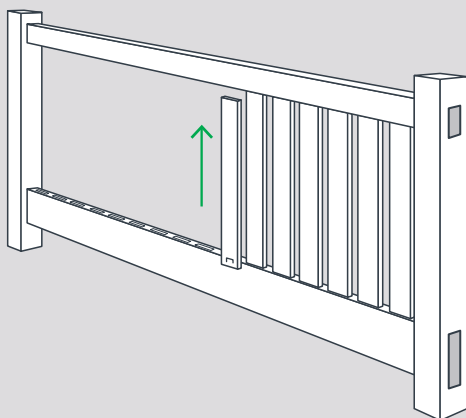
Finish by placing the post caps on using clear silicone or clear PVC pipe glue.

**Please note:** be careful when applying glue, spread evenly inside the cap so no glue runs down the fence post.

What you will need:



## Installing Wren and Rosella.



If installing the Wren or Rosella style you will need to first slide the picket up into the top rail then push it down into the bottom rail.

What you will need:





Rosella Picket Fence – Delux



**thinkfencing**  
The Thoroughbred of Fences

**Head Office:**

2415 Geelong/Portarlington Road,  
Portarlington, 3223 Victoria Australia

**P.** +613 5259 2555

**E.** [sales@thinkfencing.com.au](mailto:sales@thinkfencing.com.au)

**www.thinkfencing.com.au**