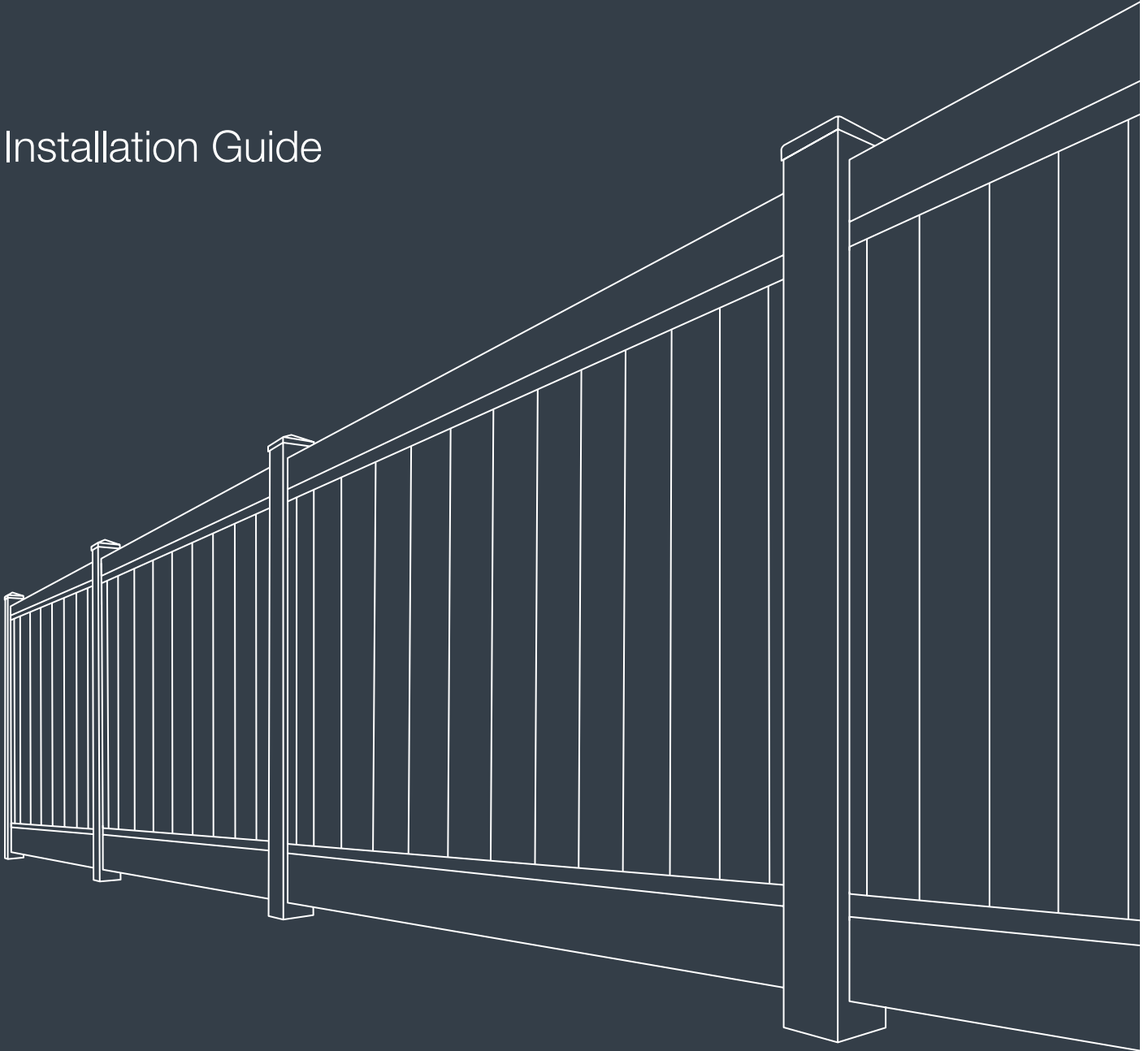


Mystique Fencing Privacy Screening.

Installation Guide



thinkfencing
The Thoroughbred of Fences



Mystique with lattice - White

Contents

- Getting Started 4
 - Installation Tips 4.1
 - Shortening a Panel 4.2
- Tools Required 5
- Mystique Installation 6-13
- Lattice Installation 14-16

Getting Started

Congratulations on your new Think Fencing Mystique Privacy Fencing System.

Clean, uncluttered good looks combined with brilliant functionality. Available in a variety of colours, or a natural look of timber grain. Mystique provides privacy in a garden setting and an effective barrier from unwanted traffic and neighbour noise.

Mystique Fencing Features:



DIY Installation



Eco Friendly



Australian Made



Limited Lifetime Warranty



Never Paint Again



Graffiti Resistant



Noise Reducer

Installation Tips - 4.1

- ✓ Install the fence on a still day as wind can make the string line move.
- ✓ Mow any grass and level fence line prior to allow for easier installation.
- ✓ For planning purposes each hole will require 0.045m³ of concrete. **Do not use rapid set concrete.** It will continue to absorb moisture, expanding inside posts and voiding the warranty. Think Fencing recommends using premixed 25mpa/10mm aggregate.
- ✓ When concreting the post, Think Fencing recommend to first put the post into the ground, pour the concrete in, then lift and push it back into the concrete. This method allows the concrete to travel up the post core.
- ✓ If you have sandy/loose soil, Think Fencing recommends that you increase your hole size and amount of concrete to create a bigger foundation.
- ✓ Creating a spacer jig with a piece of timber or plastic allows you to easily check the measurement between posts.
- ✓ Keep a rasp handy to open the slots up if the rail are difficult to slide in or if the fence is on a slope.
- ✓ The fence can already accommodate a 1-degree rake. Anything larger than this will require increasing the length of the slot by rasping it out on site or have Think Fencing provide custom routed posts.
- ✓ If the fence is to be installed around a corner with an angle between 5 – 45 degree the rail slot width can be increased using a rasp to allow for a greater angle.
- ✓ When crimping, make sure that the crimp is facing outwards. The crimp is designed to allow you to push the rail into the post but not pull out.

Shortening a Panel - 4.2

- ✓ All PVC components can be cut using a saw or angle grinder to enable you to shorten a panel. When cutting rails, a general rule is to measure between posts and add 80mm. This allows an additional 40mm of rail to go into each post.
- ✓ If using a drop saw, it is recommended to use an Aluminum cutting blade for the best cut and ensure you cut slowly through the rail so the teeth don't grab.

Tools Required.

What you will need to get the job done.



Shovel



Tape Measure



Rasp



Pre Mix Concrete
**not rapid set*



Line Marking Paint



String Line



Spirit Level



Silicone Gun/
Clear PVC Glue



Safety Glasses



Rubber Mallet



Drill or Impact Driver



Crimper
**If installing lattice*



4mm Drill bit



5/16 Tek Driver bit



Angle Grinder/
Drop Saw



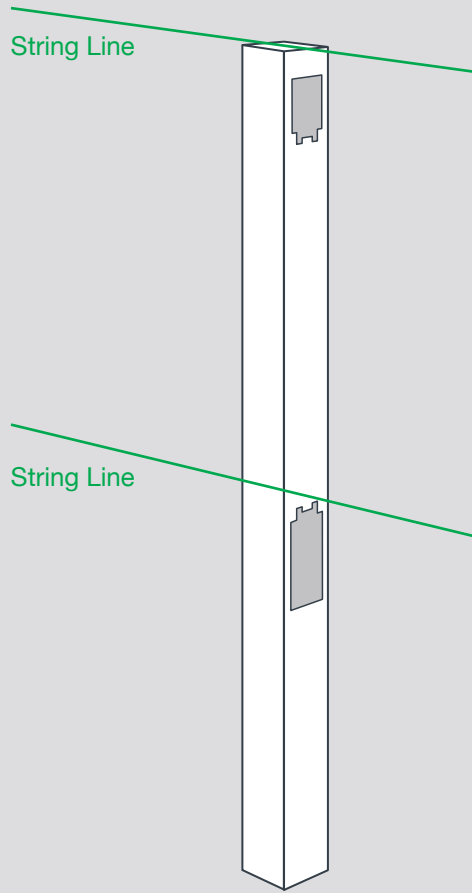
Pencil



Crowbar

1

Prepare the site ensuring you don't have any significant undulations. You can then run two string lines, one along the top of the posts and one on the side of the posts.



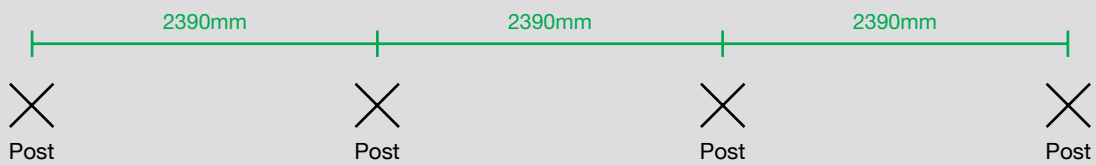
What you will need:



Please Note: Think Fencing recommends checking with location services or contacting dial before you dig to make sure it is safe to dig.

2

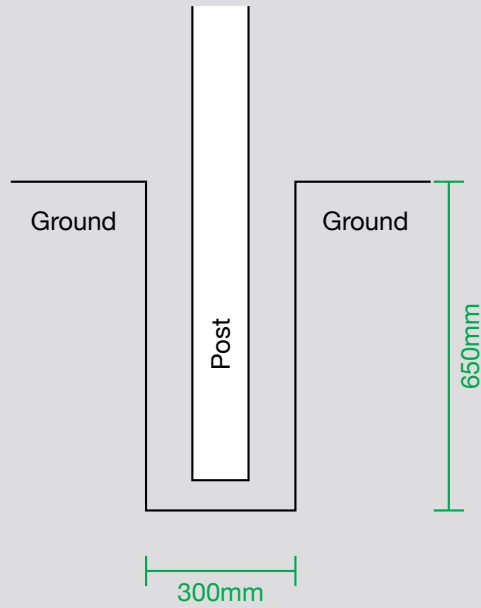
Mark your post centres as required using line marking paint. This is where you will dig the post holes.



What you will need:



3



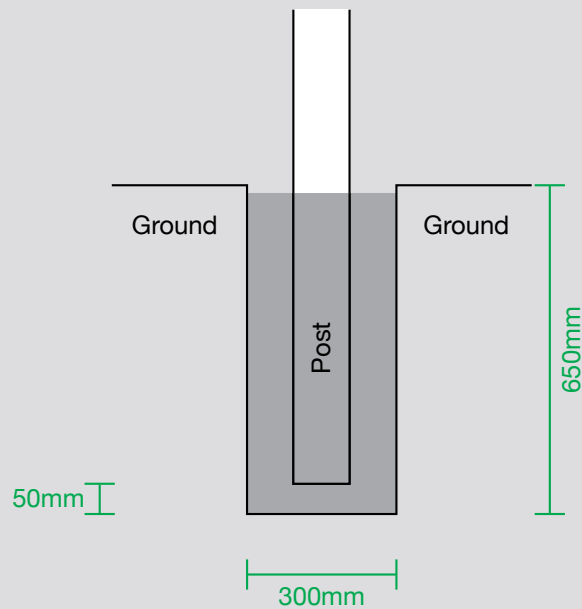
The holes must be at least 300mm wide and 650mm deep. The post needs to go into the concrete 600mm deep leaving a 50mm solid concrete foundation.

Please note: If you have sandy/loose soil, Think Fencing recommends that you increase your hole size and amount of concrete to create a bigger foundation.

What you will need:



4

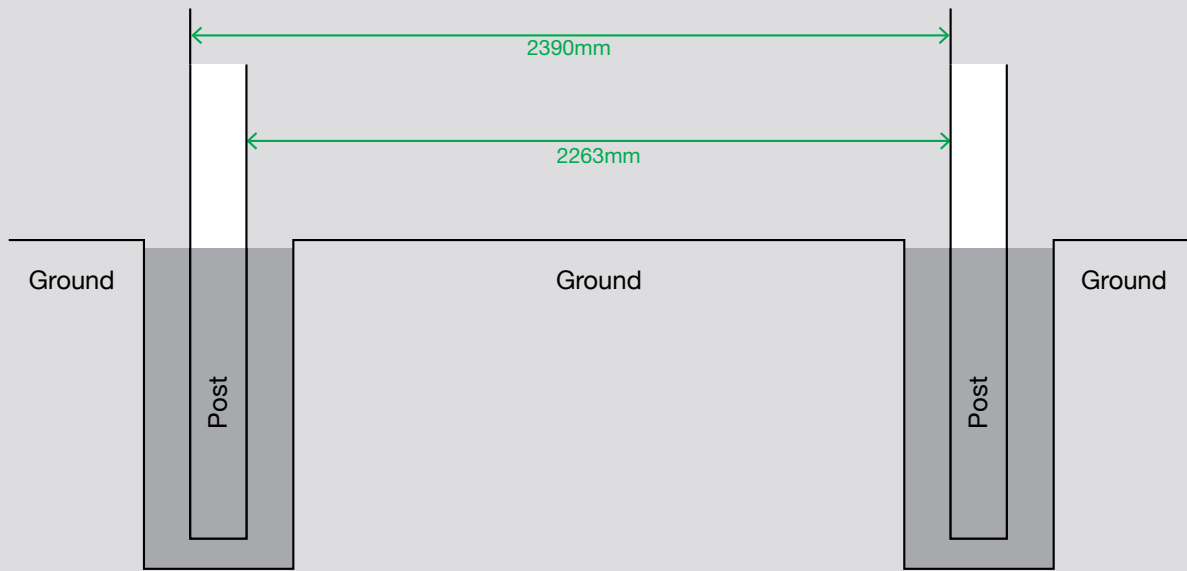


Fill the hole with wet mix concrete, then push the post into the hole allowing concrete to flow up the core of the post. Position the post using a string line and spirit level. Use the rubber mallet to fine tune the post height.

What you will need:



5



Concrete the next post.

Its easier to accurately measure the post spacing from the inside edge of two posts rather than the centres.

This measurement is the centre to centre post spacing that you used to mark the holes (as specified) minus the thickness of one post.

For example: Post spacing centre to centre (2390mm) minus thickness of one post (127mm) = 2263mm

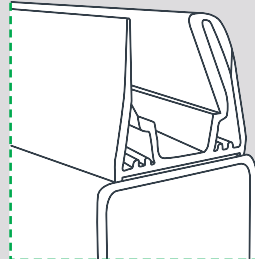
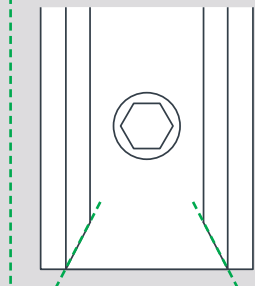
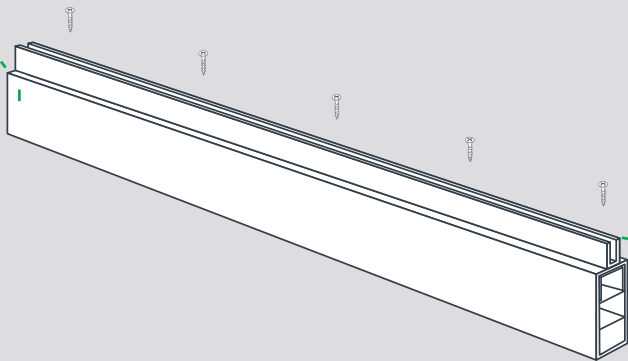
What you will need:



Mark 35mm from one end of the rail use this line to centre the rails.
This will line up with the inside of your post.

Pro Tip: Grind angle into the end of the pollock channel to make guiding into the post easier.

6



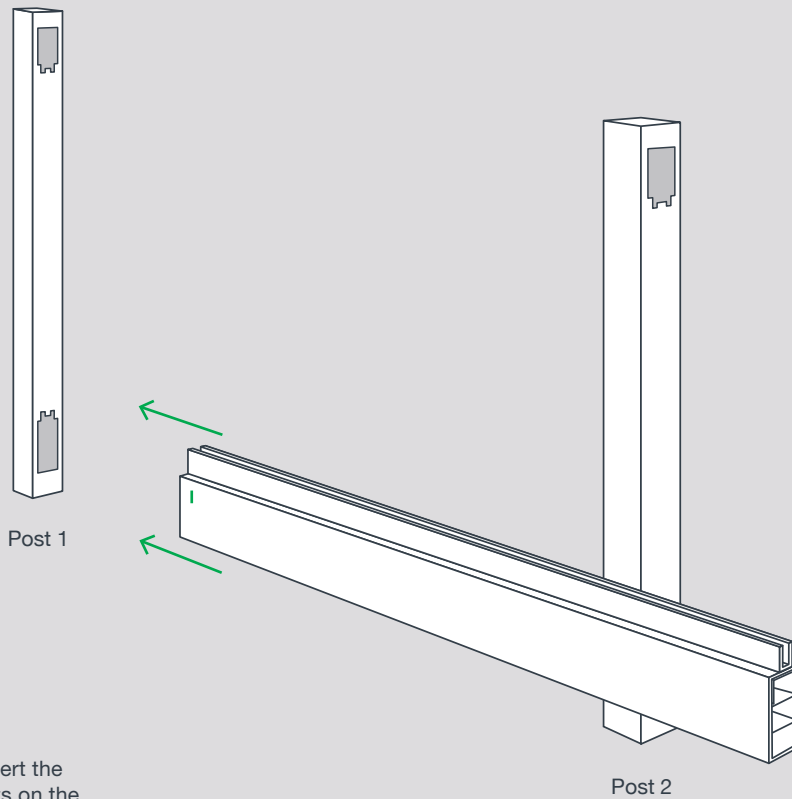
Bulk prepare all bottom rails.

Ensure that the steel insert is in the top channel of the bottom rail then attach the pollock channel to the bottom rail using five 25mm tek screws.

Please Note: Be careful not to over tighten screws when fixing pollock channels, it could strip the PVC/steel and close the opening making it more difficult to insert the panelling.

What you will need:





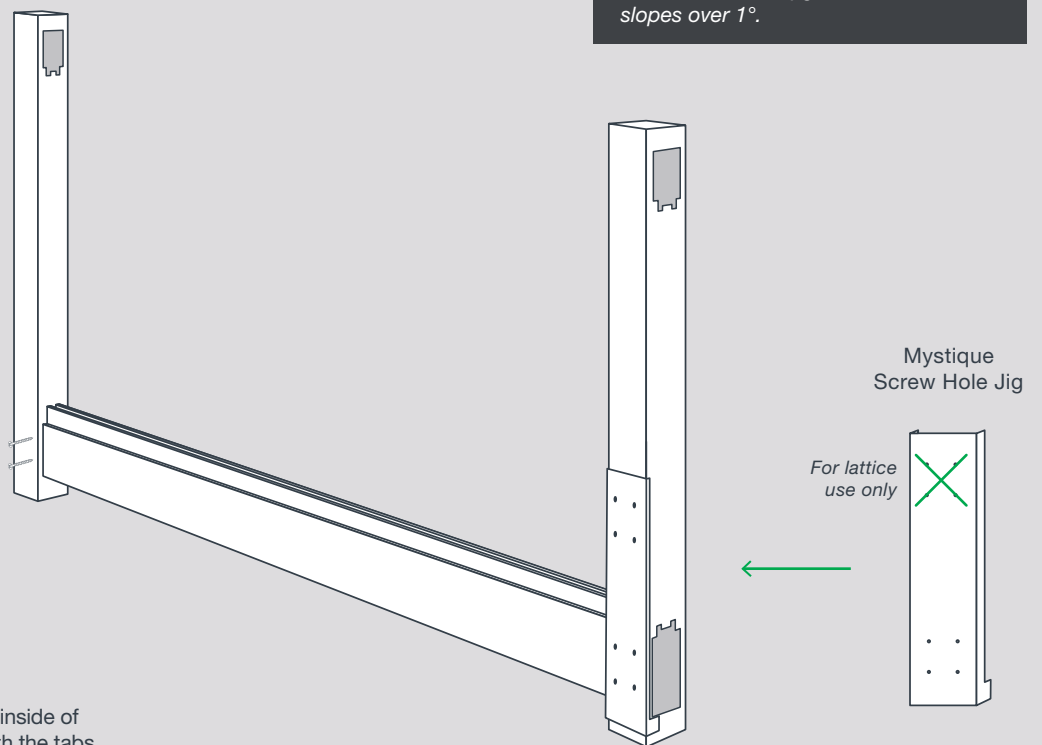
7

After the post concrete has set insert the bottom rail into the pre-routed slots on the post. You will need to push the rail most of the way into the first post to enable you to slide the rail into the next post. Centre the rail between the posts by just covering the guide line.

What you will need:



Please note: The jig is not suitable for slopes over 1°.



8

For perfectly spaced screws on the inside of the property use the jig provided with the tabs at the bottom. Hold the jig flush up against the bottom rail and pre drill the bottom set of holes. Then fasten the bottom rail using four 65mm tek screws. (Only screw through holes where the rail is correctly spaced and centred.)

What you will need:

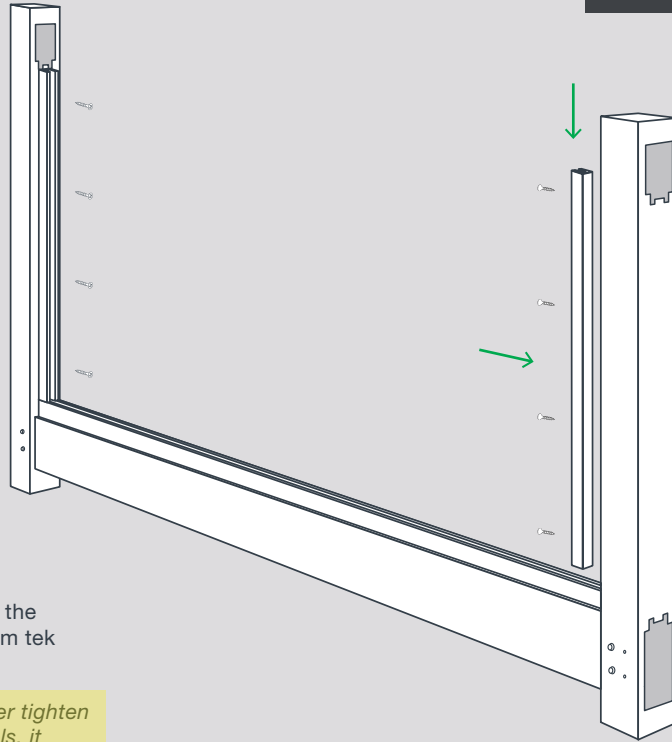


Please note: Do not modify the vertical post pollock channel, like the horizontal pollock channel.

9

Attach the post pollock channel to the centre of the posts using four 25mm tek screws per side.

Please Note: Be careful not to over tighten screws when fixing pollock channels, it could strip the PVC/steel and close the opening making it more difficult to insert the panelling.



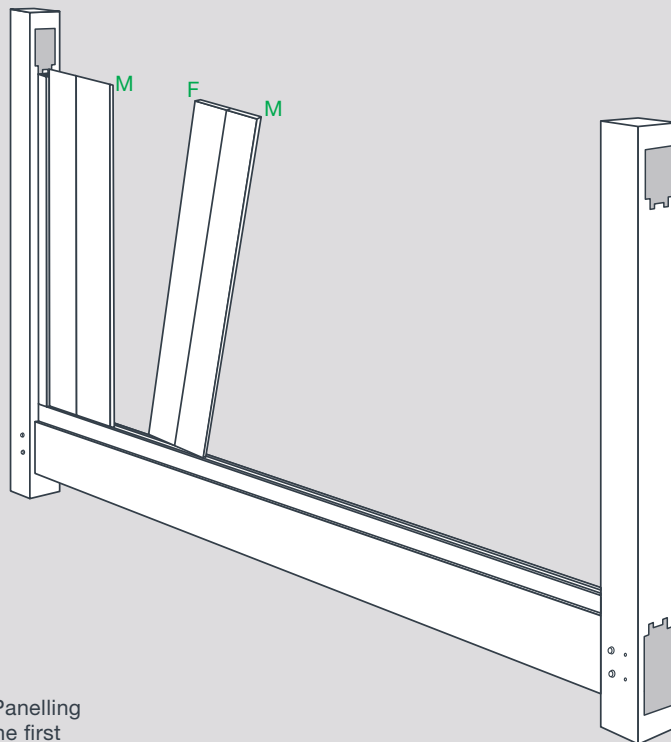
What you will need:



Pro Tip: If it is difficult to join panelling apply silicone spray the male and female groove to lubricate before joining.

10

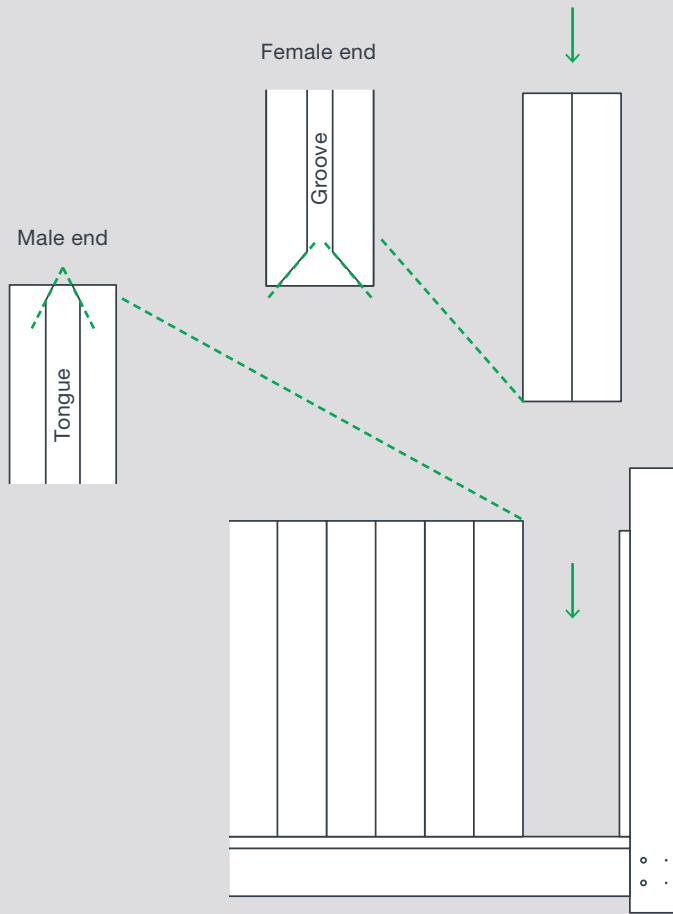
Beginning with the female end. Progressively slide the Mystique Panelling between the pollock channel on the first post. Use a rubber mallet to assist locking the panels together one at a time.



What you will need:

11

Complete the fence section by sliding the final mystique panel into place.



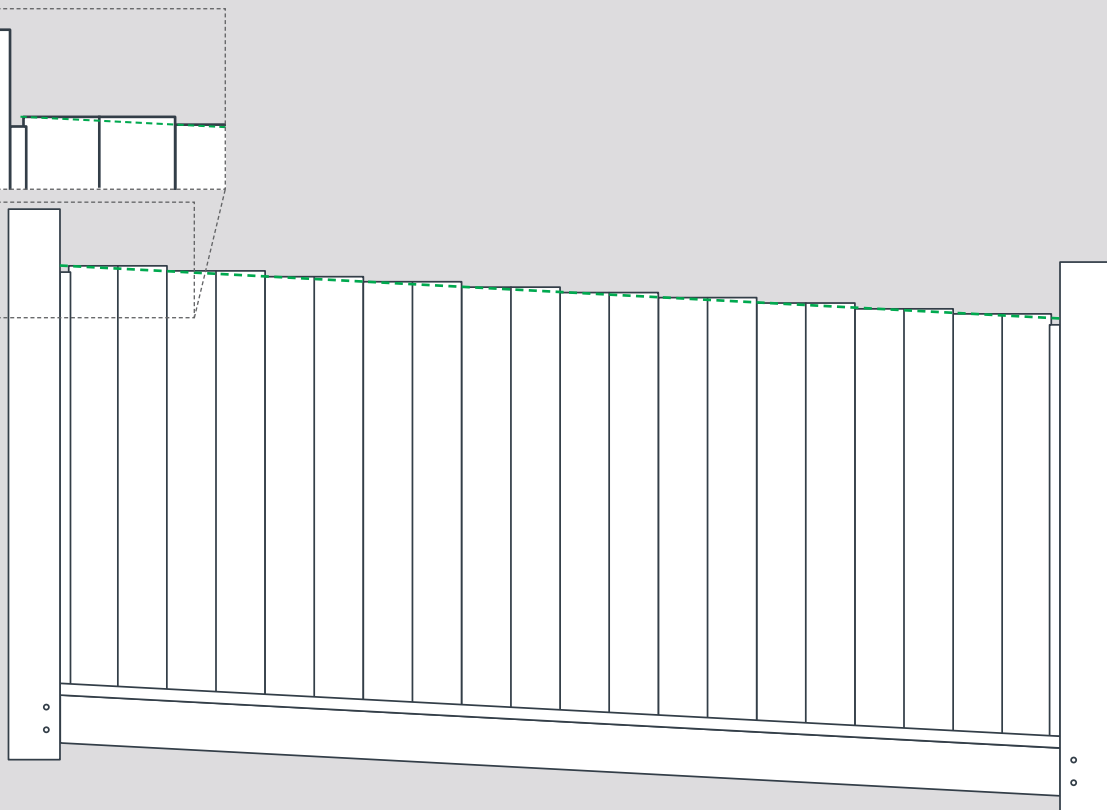
Pro Tip: Grind a slight V into the top of the male end of the second last panel and the bottom of the female end of the last panel.

What you will need:



12

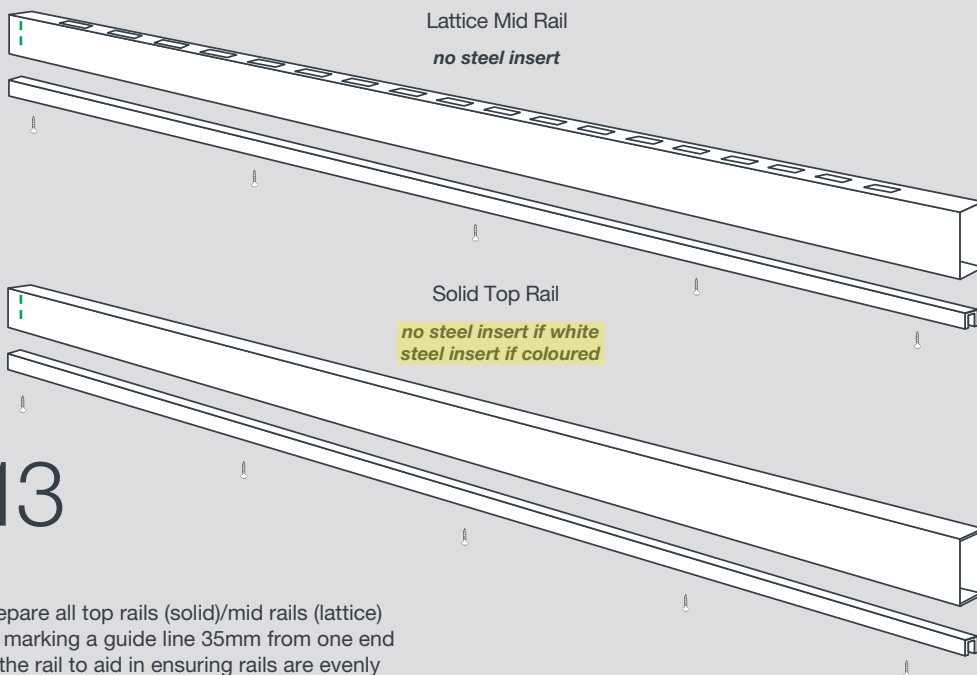
If your fence panel is raked you may need to carefully cut the top of the mystique panelling and pollock channel to allow the top rail to be inserted into the cut-outs.



What you will need:



13



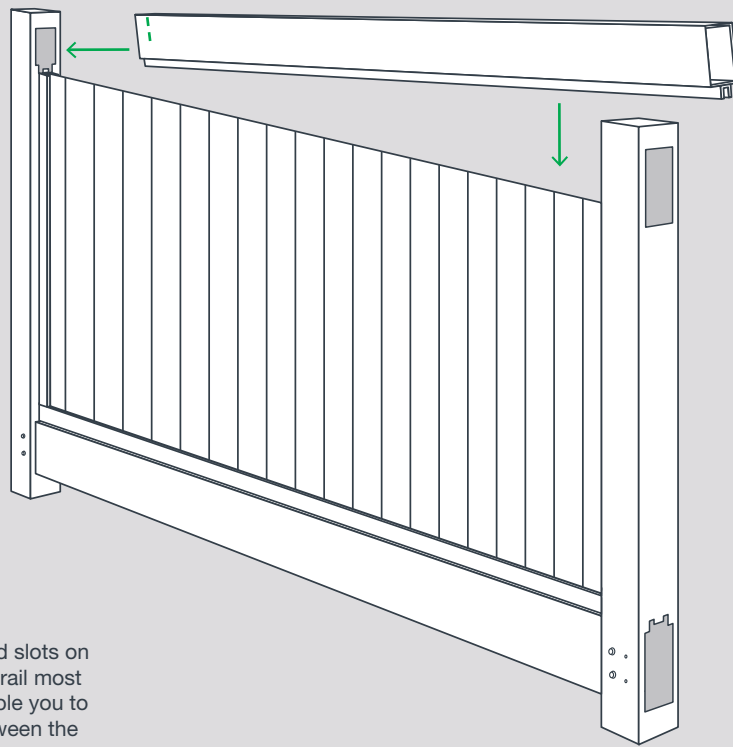
Pro Tip: Grind angle into the end of the pollock channel to make guiding into the post easier.

Prepare all top rails (solid)/mid rails (lattice) by marking a guide line 35mm from one end of the rail to aid in ensuring rails are evenly spaced between posts. Attach the pollock channel to the centre of the rails using five 25mm tek screws.

Please note: If installing mystique lattice, you will need to attach the pollock channel on the opposite side to cut-outs.

What you will need:

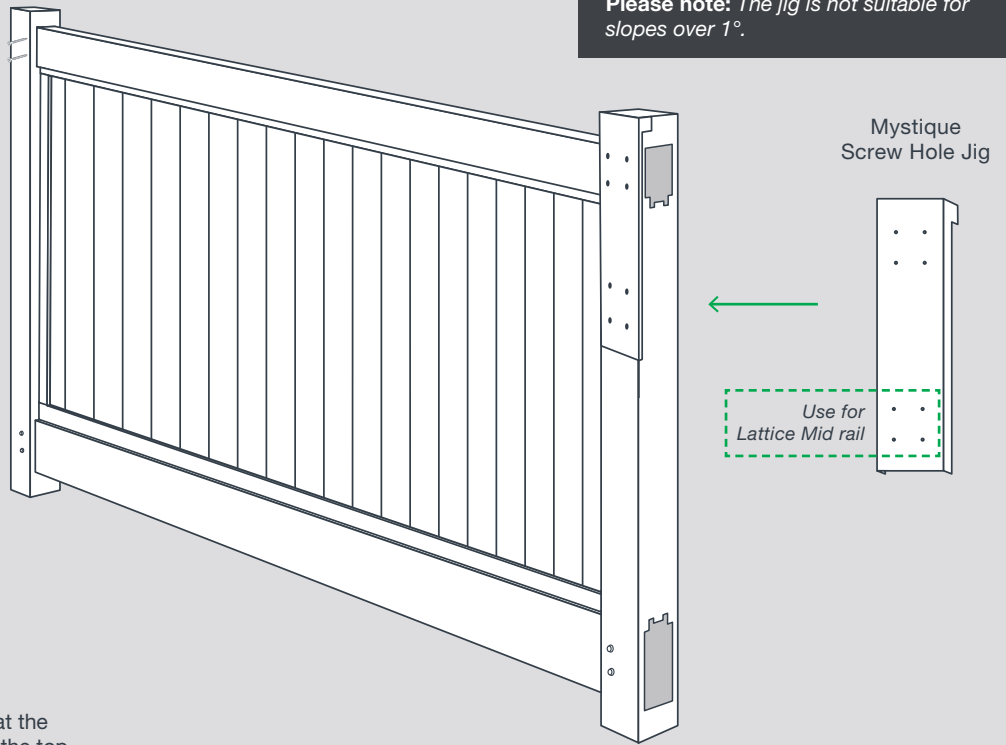
14



Please note: example showing mystique solid, for mystique with lattice this step is for the mid rail installation.

Insert the top rail into the pre-routed slots on the post. You will need to push the rail most of the way into the first post to enable you to slide it back and centre the rail between the posts by just covering the guide line.

Please note: The jig is not suitable for slopes over 1°.

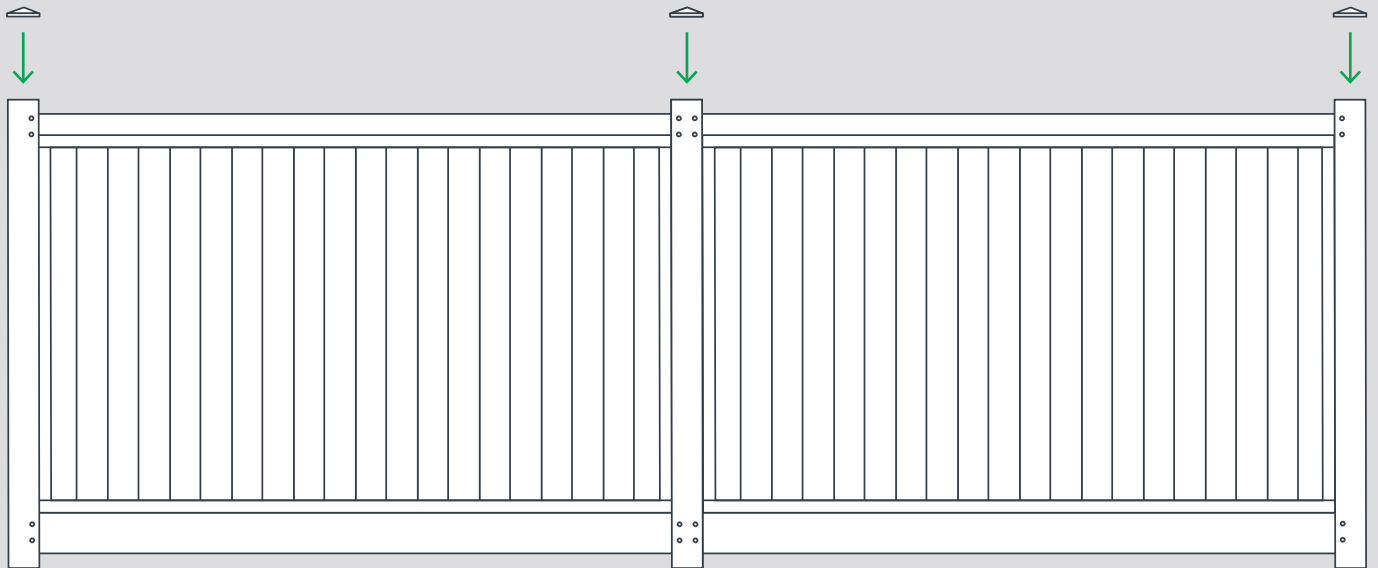


15

Using the jig provided with the tabs at the top, as pictured above, hold flush to the top of the post and pre drill the top set of holes (pre drill all eight holes if installing lattice). Then fasten the top rail using four 65mm tek screws to fit the top rail into each post.

For lattice installation proceed to page 14

What you will need:



16

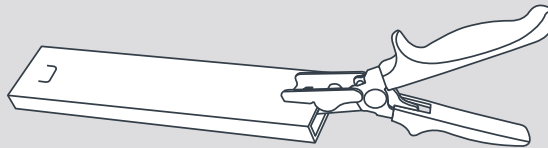
Finish by placing the post caps on using clear silicone or clear PVC pipe glue.

Please note: Be careful if applying glue, spread evenly inside the cap so no glue runs down the fence post.

What you will need:



Installing Lattice.



1

Bulk Prepare all lattice pickets.

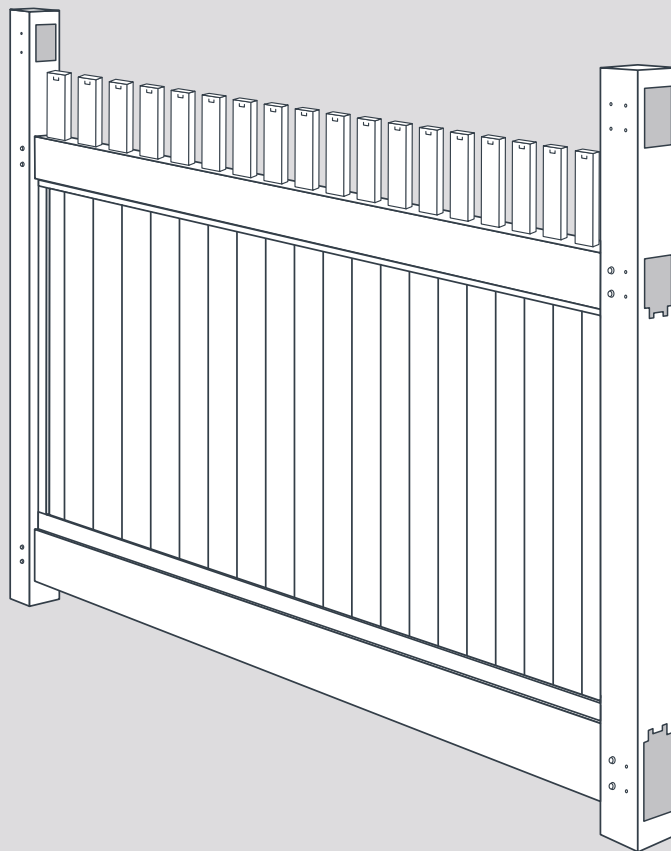
Crimp both ends of the pickets, then flip over and repeat to the other side.

What you will need:

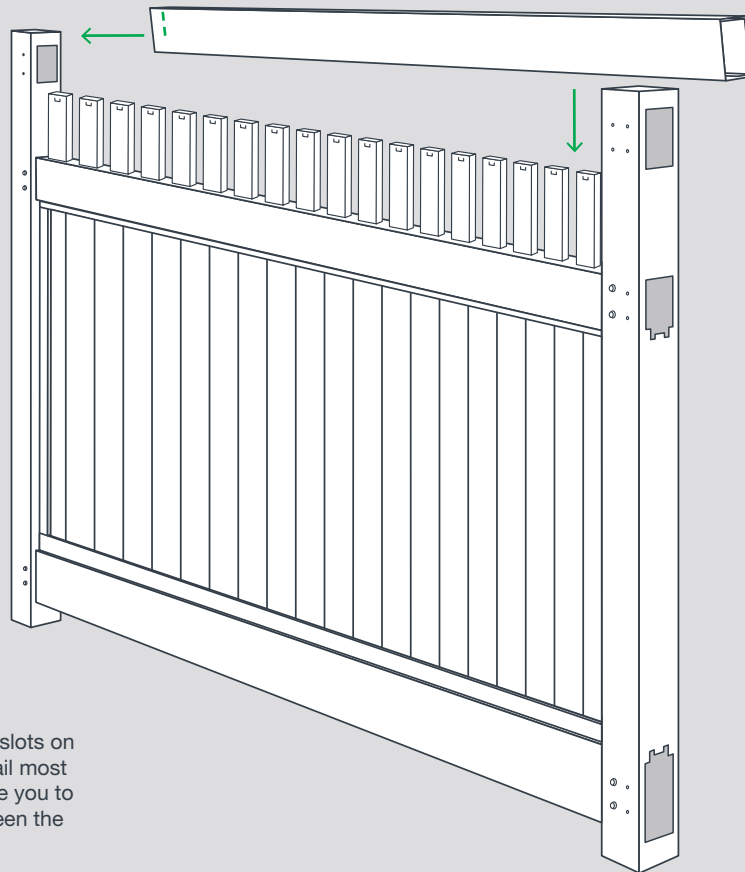


2

Insert the lattice pickets into the pre-routed slots of the mid rail.



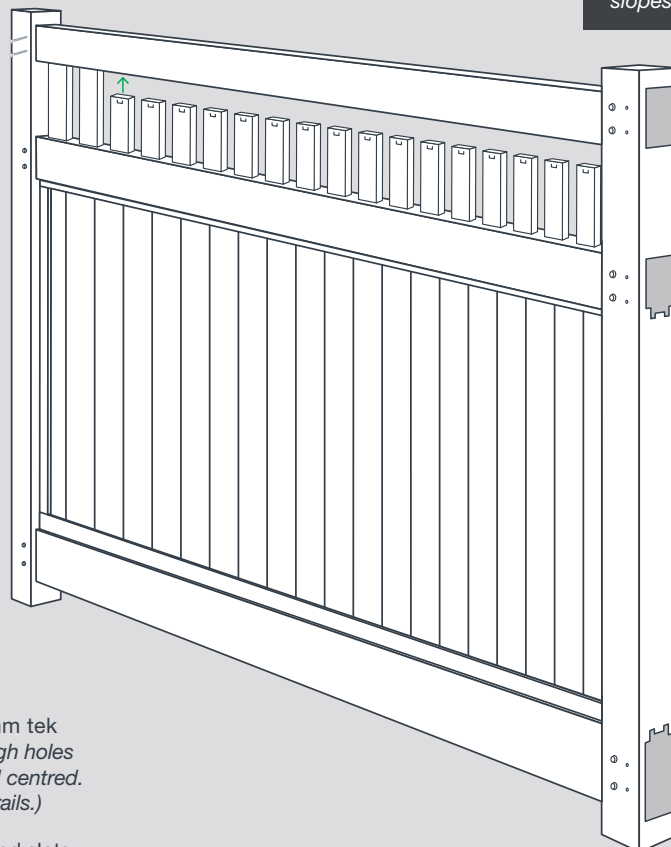
3



Insert the top rail into the pre-routed slots on the post. You will need to push the rail most of the way into the first post to enable you to slide it back and centre the rail between the posts by just covering the guide line.

Please note: The jig is not suitable for slopes over 1°.

4

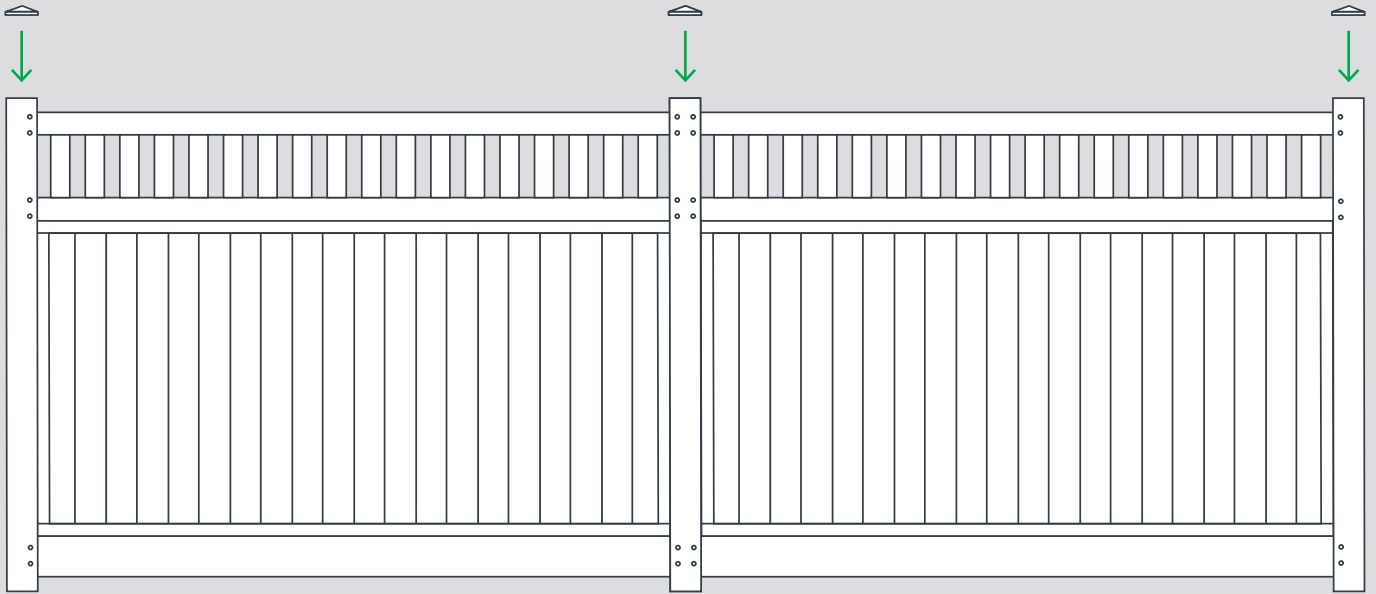


Then fasten top rail using four 65mm tek screws provided. (Only screw through holes where the rail is correctly spaced and centred. The remaining holes are for the next rails.)

Push the pickets up into the pre-routed slots of the top rail to finish off panel.

What you will need:





5

Finish by placing the post caps on using clear silicon or clear PVC pipe glue.

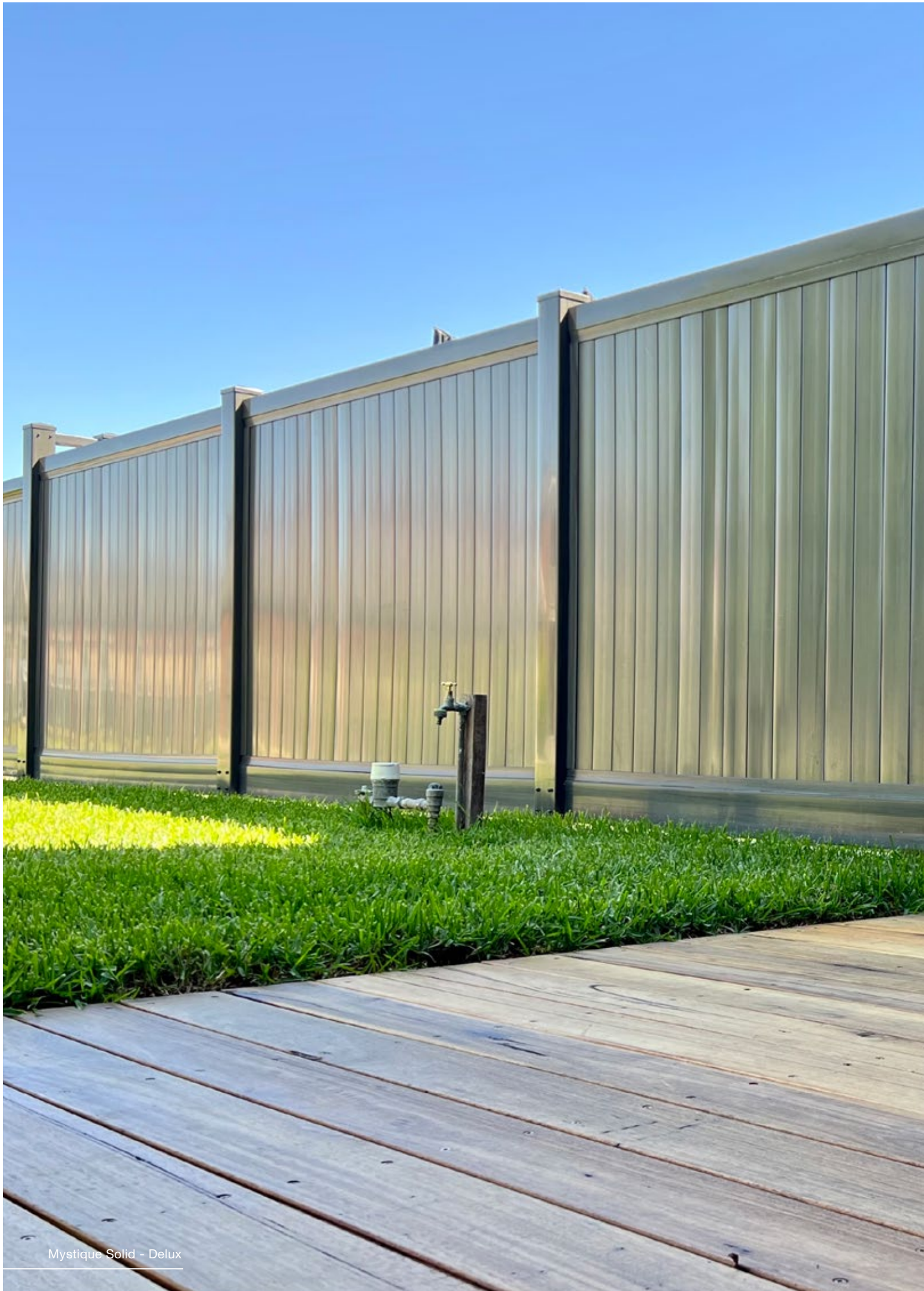
Please note: be careful if applying glue, spread evenly inside the cap so no glue runs down the fence post.

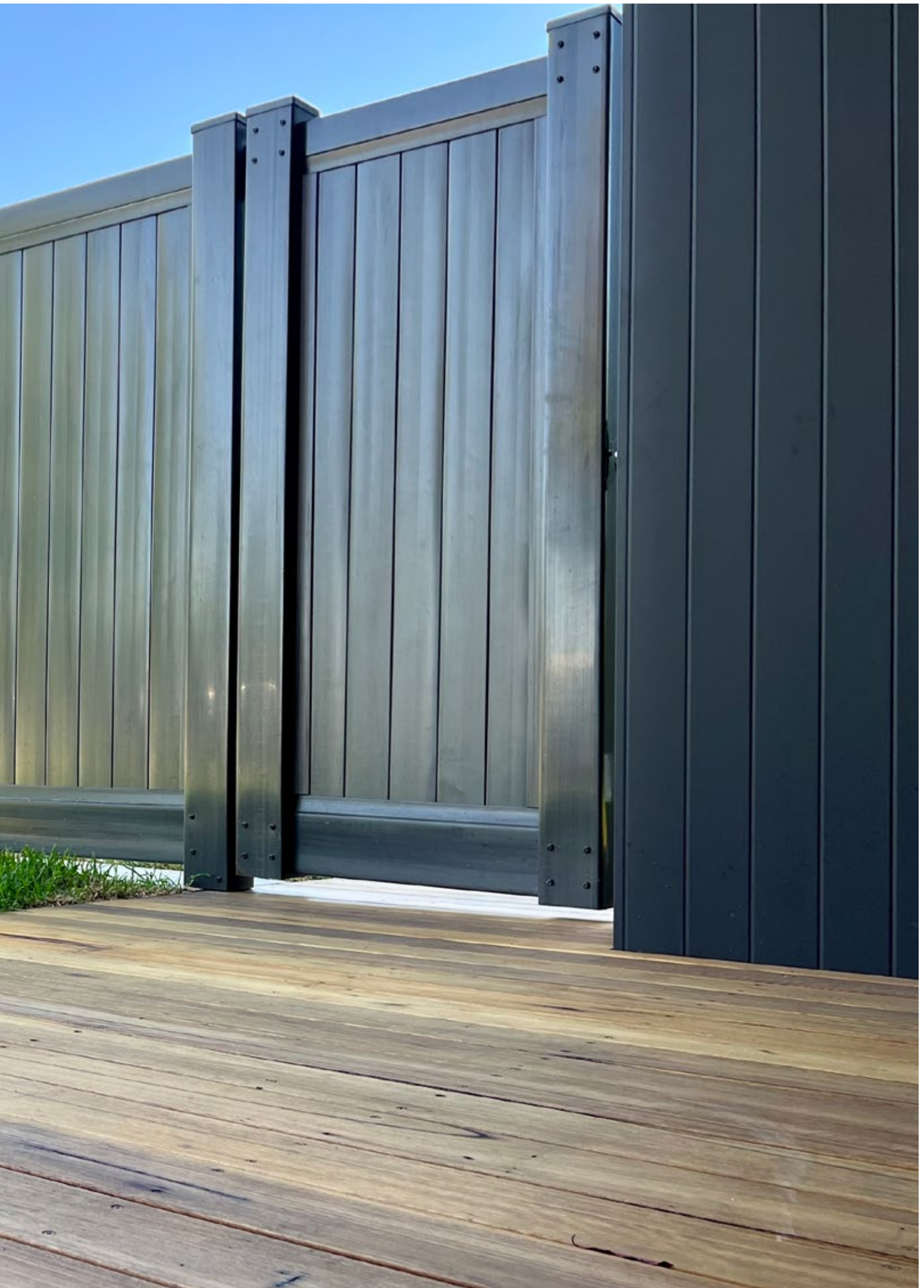
What you will need:





Mystique with lattice - White







thinkfencing
The Thoroughbred of Fences

Head Office:

2415 Geelong/Portarlington Road,
Portarlington, 3223 Victoria Australia

P. +613 5259 2555

E. sales@thinkfencing.com.au

www.thinkfencing.com.au