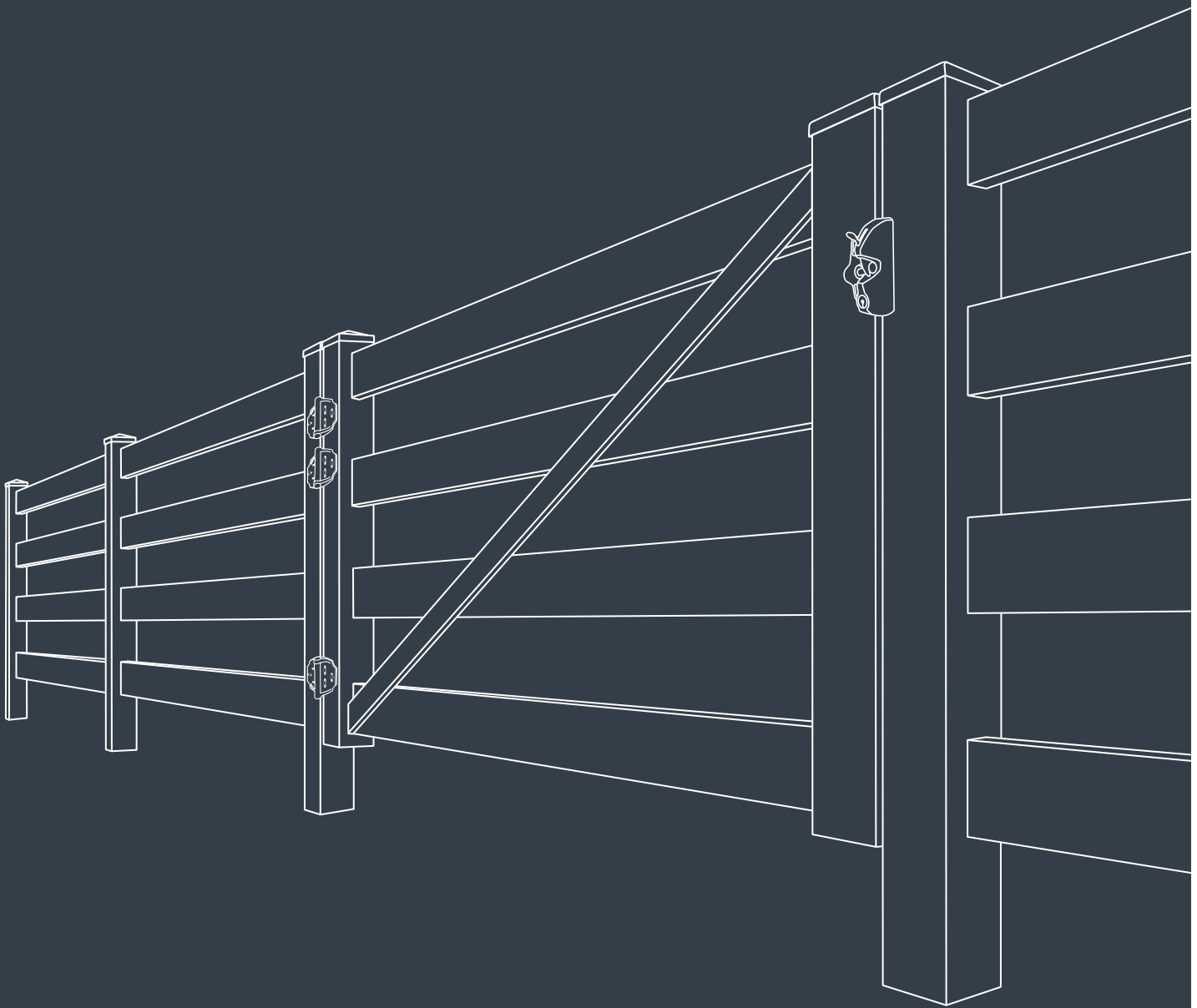


# Residential & Rural Fencing Gates.

Installation Guide



**thinkfencing**  
The Thoroughbred of Fences



Mystique with Lattice – White

# Contents

Getting Started	4
Important Information	4.1
Tools Required	5
Instructions	6
Option one - Steel	8
Option two - Reo Bars	9

# Getting Started

Congratulations on your new Think Fencing Gate System.

Strong and beautiful would be one way to describe a Think Fencing gate. Gates are an often overlooked part of any fence. Gates are the only moving part of your fencing system, they must withstand constant opening and closing, banging and crashing with the occasional "kid swinging".

Our PVC gates are engineered to last. Our fabrication team build these complete with steel components internally, adding strength and integrity to your beautiful custom gate.

## Gate Features:



DIY  
Installation



Eco  
Friendly



Australian  
Made



Limited Lifetime  
Warranty



Never Paint  
Again



Graffiti  
Resistant

## Important Information - 4.1

If installing a gate onto a PVC post you will need to re-enforce the post with concrete to accommodate the weight of the gate.

Depending on the size of your gate and soil type, you may need to create a larger foundation than required for a standard post. This does not require you to have a larger post. For example: For a 300mm wide x 1000mm deep footing, the post only needs to be 600mm into the footing, therefore you will not require longer posts.

It is advisable to install the gate posts at least 600mm into the concrete footing.

**Do not use rapid set concrete.** It will continue to absorb moisture, expanding inside posts and voiding the warranty. Think Fencing recommends using premixed 25mpa/10mm aggregate.

# Tools Required.

What you will need to get the job done.



Shovel



Tape Measure



Pencil



Clamps



Pre Mix Concrete  
\*not rapid set



String Line



Spirit Level



Drill/Driver



Masking Tape



Safety Glasses



Line Marking Paint



Ratchet



Crowbar



Reo Bars  
\*not supplied

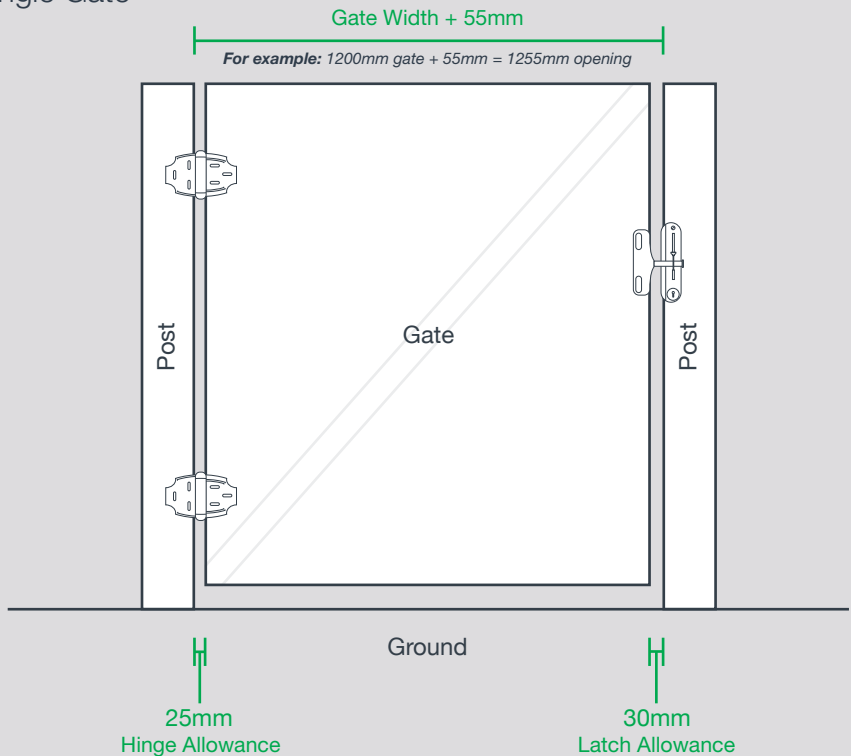
OR



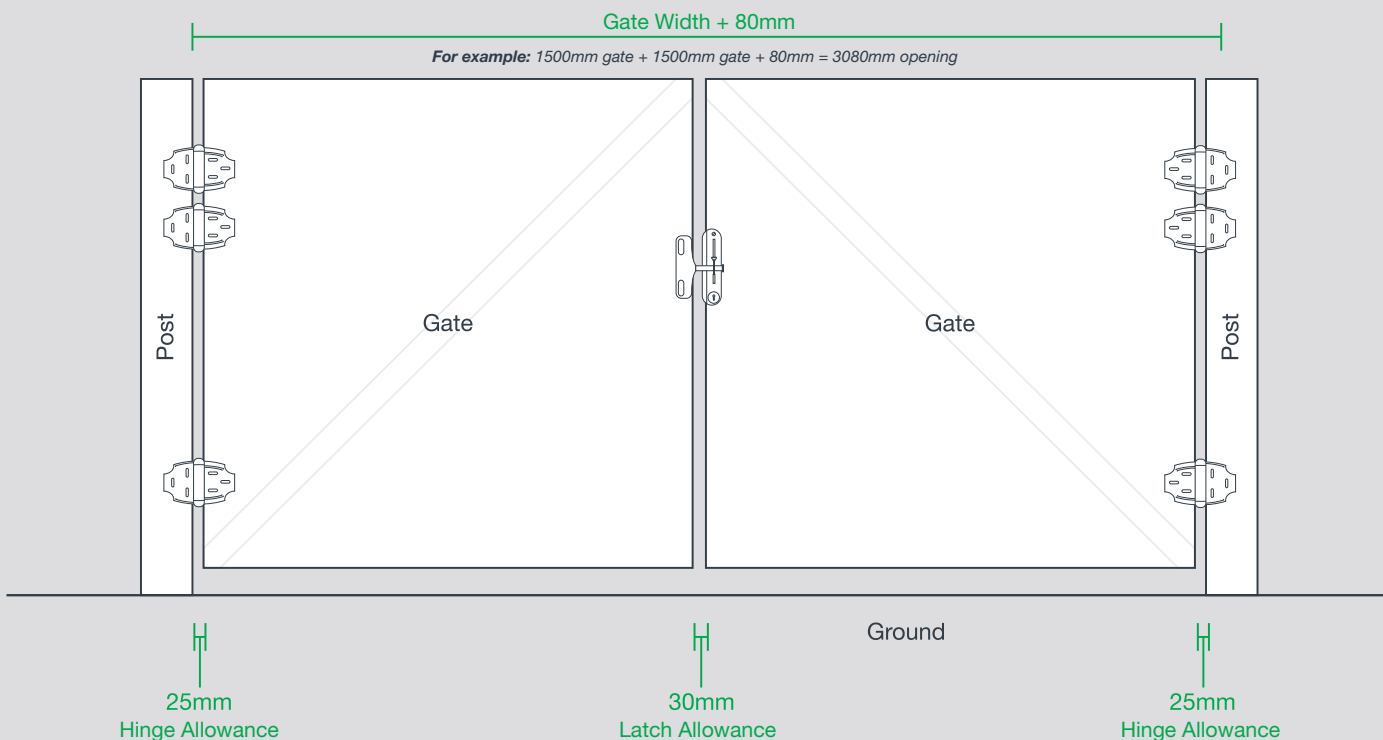
100UC Steel  
\*not supplied

## Single Gate

**Please note:** Gates 1500mm and over will require an additional hinge.



## Double Gate



1

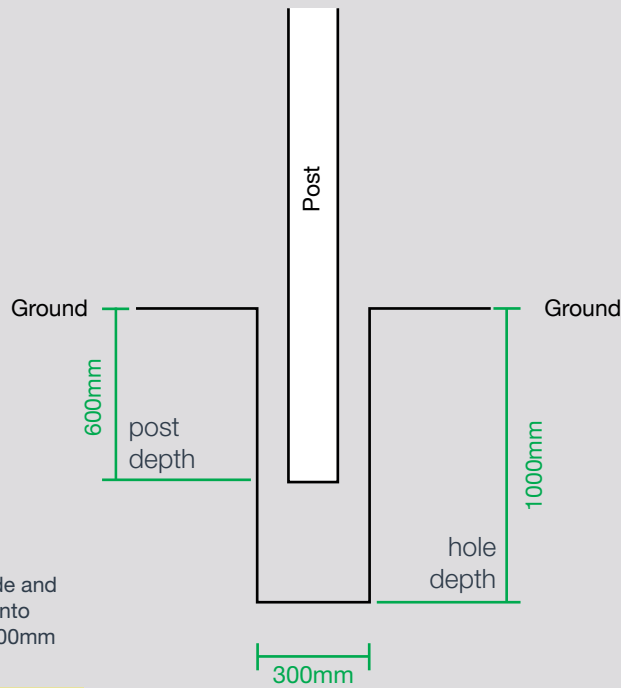
Mark out your posts to the correct spacing ensuring you allow 25mm for hinges and 30mm for the latch on top of the gate width.

Rural gates are designed to match the rail heights of the fence. There will be a gap under the bottom of the gate.

What you will need:



# 2



The holes must be at least 300mm wide and 1000mm deep. The post needs to go into the concrete 600mm deep leaving a 400mm solid concrete foundation.

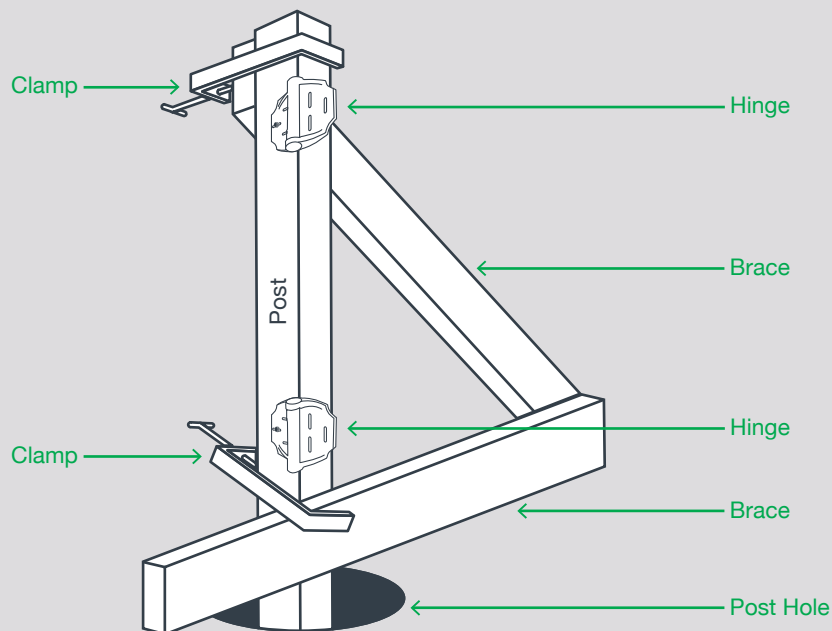
**Please note:** If you have sandy/loose soil, Think Fencing recommends that you increase your hole size and amount of concrete to create a bigger foundation.

If your fence attaches to your gate post this will be done as part of your fence.

What you will need:



# 3



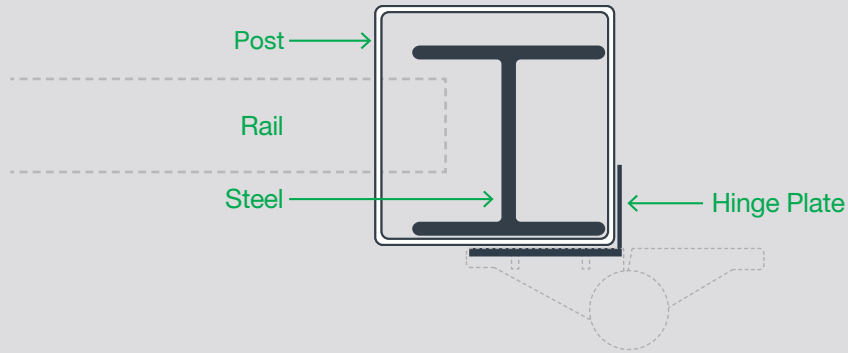
Test fit gate hinges and latch to the post and the gate to confirm correct spacing (refer to hinge & latch installation instructions in pack). Once confirmed remove the gate but keep the hinges and latch on the post (hinges will need to be removed if using steel in step 4). Prop and brace the posts into position using a piece of timber, steel or PVC off cut.

What you will need:



# 4 Option One - Steel

1



Insert steel into post ensuring it is orientated correctly as pictured above.

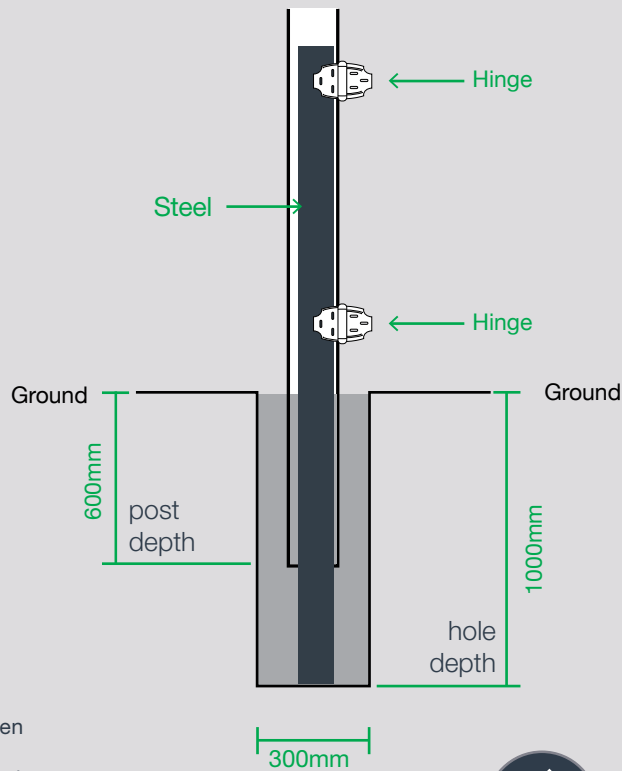
Pre drill holes for hinges into the steel. Then attach hinge plates to hold the steel in place.

A packer can be added to add extra stability to the gate.

What you will need:



2



Fill the hole with wet mix concrete, then push the post into the hole allowing concrete to flow up the core of the post. Position the post using a string line and spirit level. Use the rubber mallet to fine tune the post height.

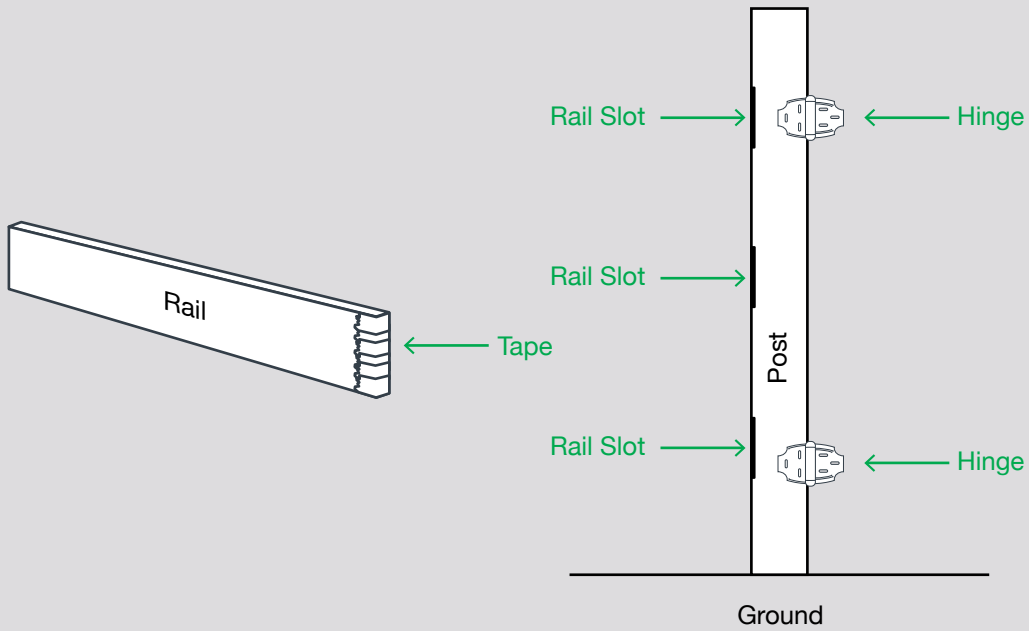
What you will need:





# 4 Option Two - Reo Bars

1

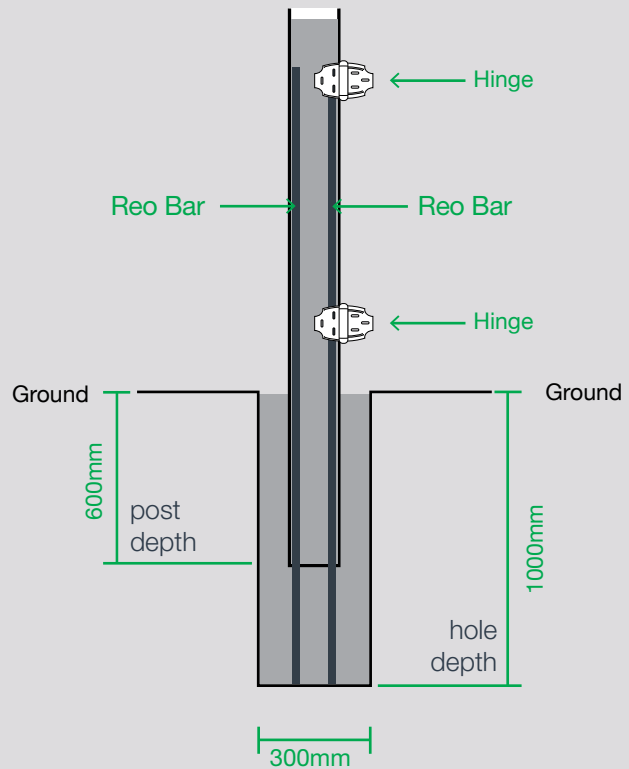
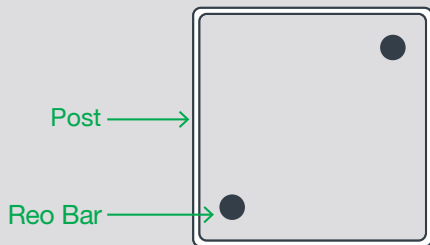


If your fence attaches to a gate post you must seal the end of the rails going into the gate post by placing adhesive tape over the rail end. This prevents concrete from flowing into the rails.

What you will need:



2



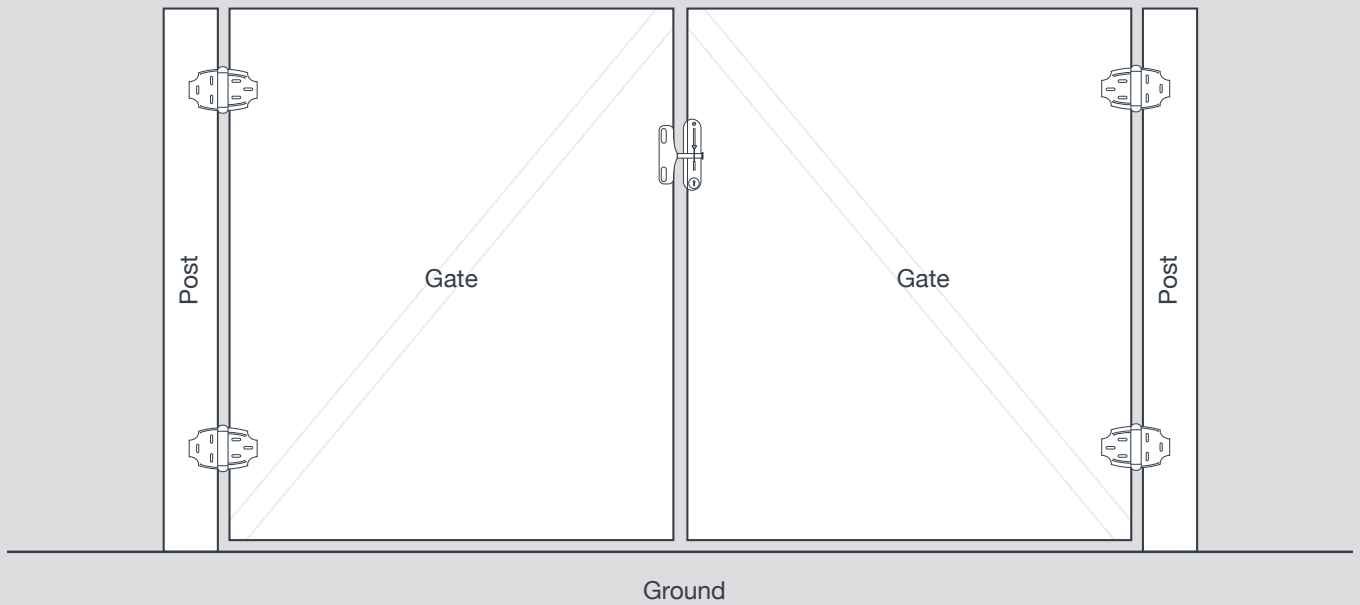
Drive two 12mm steel reo bars (not supplied) into the ground at least 50mm below the post and level with the top of the highest hinge. Set the bars apart so they are spaced on opposite corners ensuring they are not touching the edge of the post or any rails.

Fill the post hole and core fill with wet concrete mix in stages. Be sure to constantly agitate the concrete to ensure there are no air pockets. Fill to top of post.

What you will need:



**Please note:** Think Fencing recommends not hanging the gates for at least a few days to allow the concrete to set.



# 6

After concrete has set, remove the brace, attach the gate to the hinges and adjust accordingly. Refer to hinge & latch installation instructions in pack.

**What you will need:**





2 Rail – Post and Rail – Woodgrain Pine



**thinkfencing**  
The Thoroughbred of Fences

**Head Office:**

2415 Geelong/Portarlington Road,  
Portarlington, 3223 Victoria Australia

**P.** +613 5259 2555

**E.** [sales@thinkfencing.com.au](mailto:sales@thinkfencing.com.au)

**www.thinkfencing.com.au**