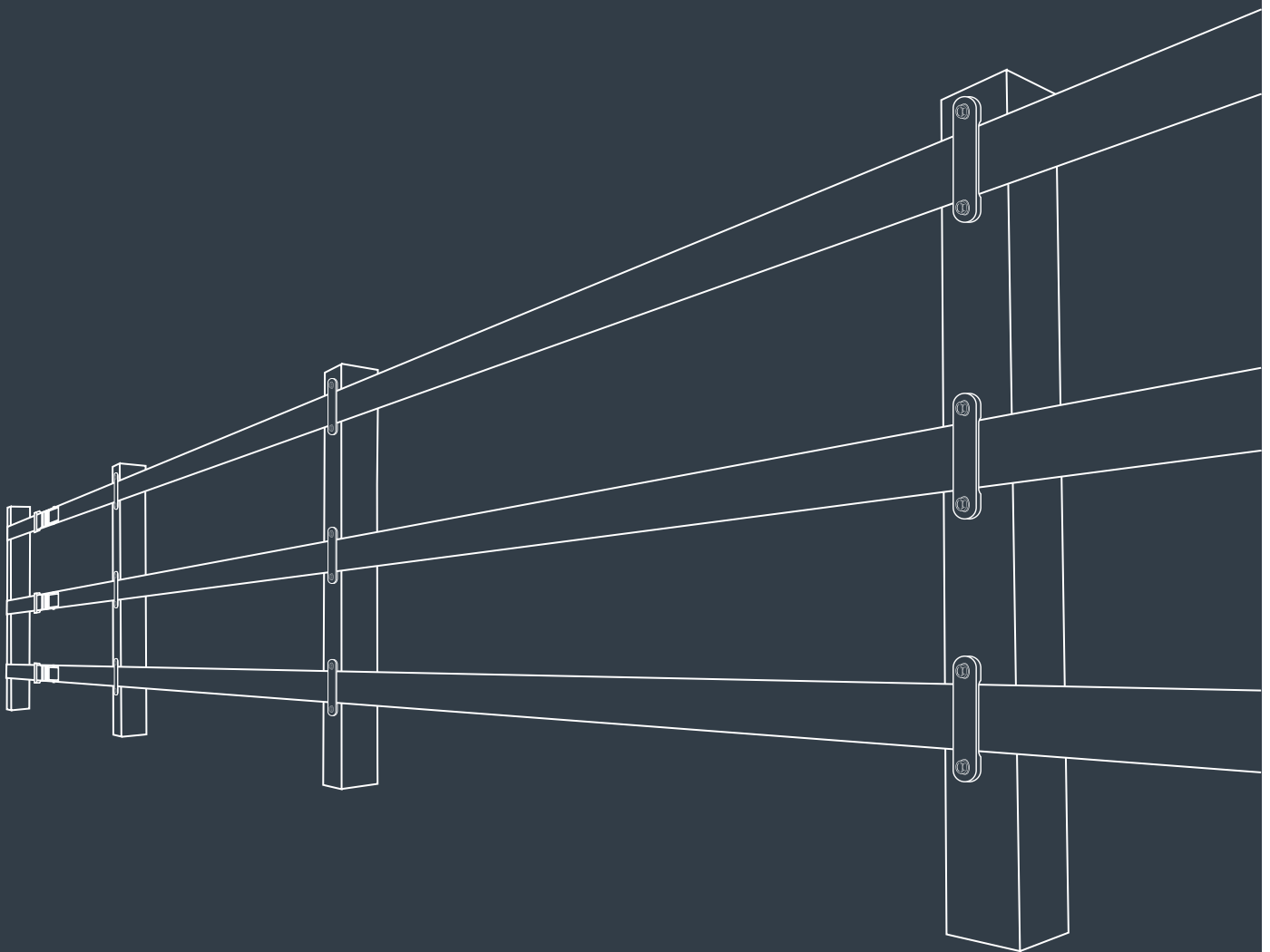


Rural Fencing Equirail.

Installation Guide



thinkfencing
The Thoroughbred of Fences

Getting Started

Congratulations on your new Think Fencing Equirail Fence System.

Equirail is a handsome, cost effective horse safe fencing solution. It is visible and flexible making it super safe for horses. It can be attached to existing timber or steel posts or be used on our range of PVC posts.

Equirail Fencing Features:



DIY
Installation



Eco
Friendly



Australian
Made



Lifetime
Warranty



UV
Resistant

Installation Tips

- ✓ We recommend a 4m post spacing. Equirail can accommodate up to a 6m spacing.
- ✓ If your run is over 100m, we recommend installing an Equi Tensioner on both ends to create sufficient tension.
- ✓ For sufficient tension, we recommend starting and stopping with a new Equi Tensioner on each corner and end.
- ✓ Equirail can be joined using two nuts and bolts.
- ✓ Screwing the brackets in too hard can cause damage and make it difficult for the Equirail to slide through the brackets.
- ✓ It is recommended to re-tension Equirail on the first warm day after installation.

Tools Required.

What you will need
to get the job done.



Tape Measure



Pencil



Drill with 8mm
Tek Head

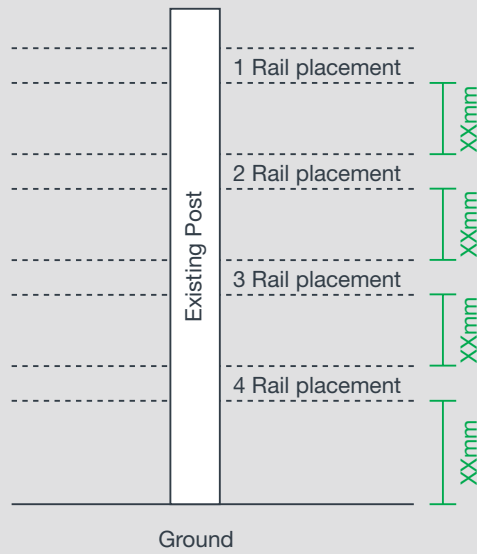


Scissors or
Shape Knife



Safety Glasses

1

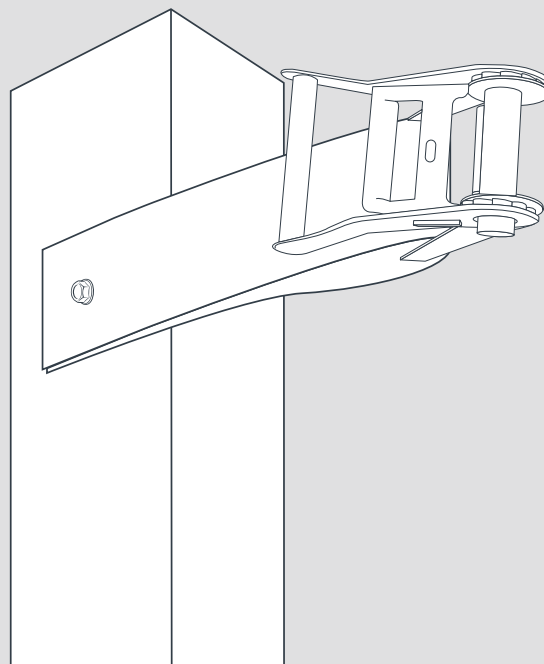


Measure out your rail spacing. Spacing between rails are varied based on your specific requirements.

What you will need:



2

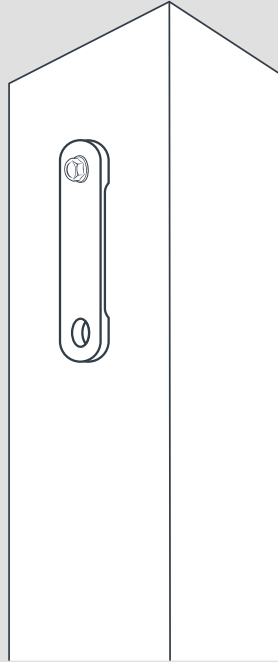


Cut a 300mm section of Equirail from the roll. Thread this through the Equi Tensioner between the bolt and handle, overlap this section and screw into post.

What you will need:



3

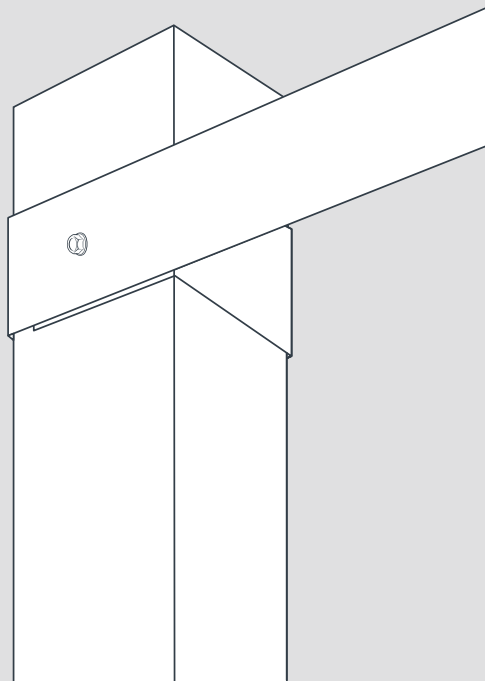


Drive a tek screw into the top of each bracket and into the post. Keep this screw loose so that you can easily slide the Equirail into the bracket.

What you will need:



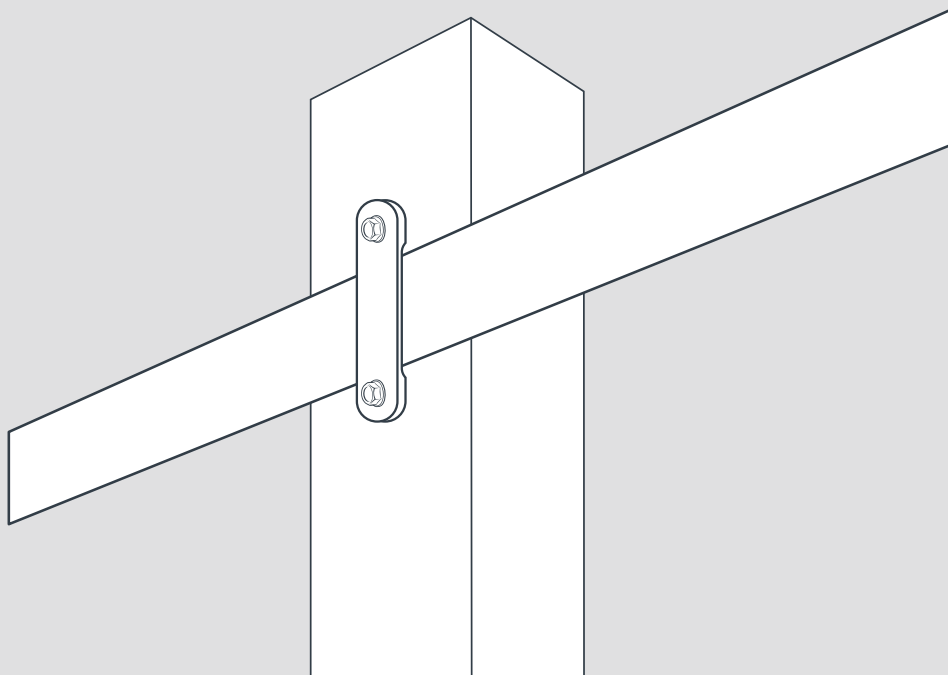
4



Roll the Equirail out along the fence run. Once you reach the end post (opposite end to where you have installed the Equi Tensioners) wrap the Equirail around the post overlapping two layers and drive a tek screws through both layers and into the post.

What you will need:

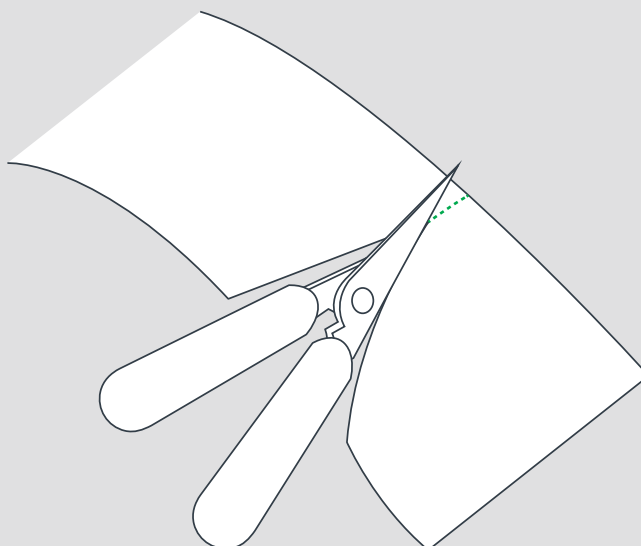




5

Slide the Equirail into the bracket and screw the bottom of the bracket using a tek screw.

What you will need:

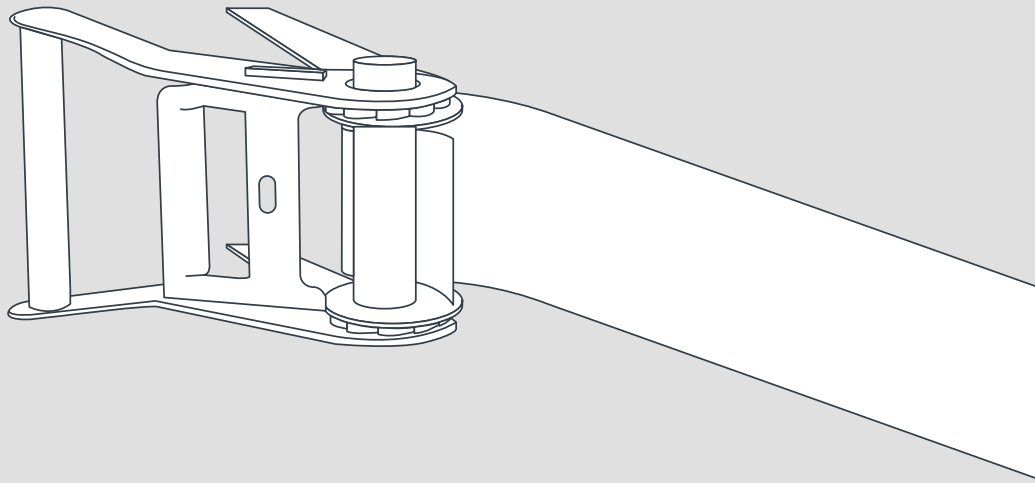


6

Go back to the post with the Equi Tensioner. Pull the Equirail tight by hand and mark where you need to cut the rail. Make sure you leave an extra 10cm to thread through the Equi Tensioner.

What you will need:





7

Open the Equi Tensioner and thread the Equirail through the big slot in the core and ratchet to tighten. When you start to ratchet the tensioner, the Equirail should go around the core in a circular motion.

If too much Equirail is wrapped around the core it will not tension sufficiently. This can be fixed by releasing the rail from the Equi Tensioner. Cut off the excess Equirail and repeat the tensioning process.



thinkfencing
The Thoroughbred of Fences

Head Office:

2415 Geelong/Portarlington Road,
Portarlington, 3223 Victoria Australia

P. +613 5259 2555

E. sales@thinkfencing.com.au

www.thinkfencing.com.au