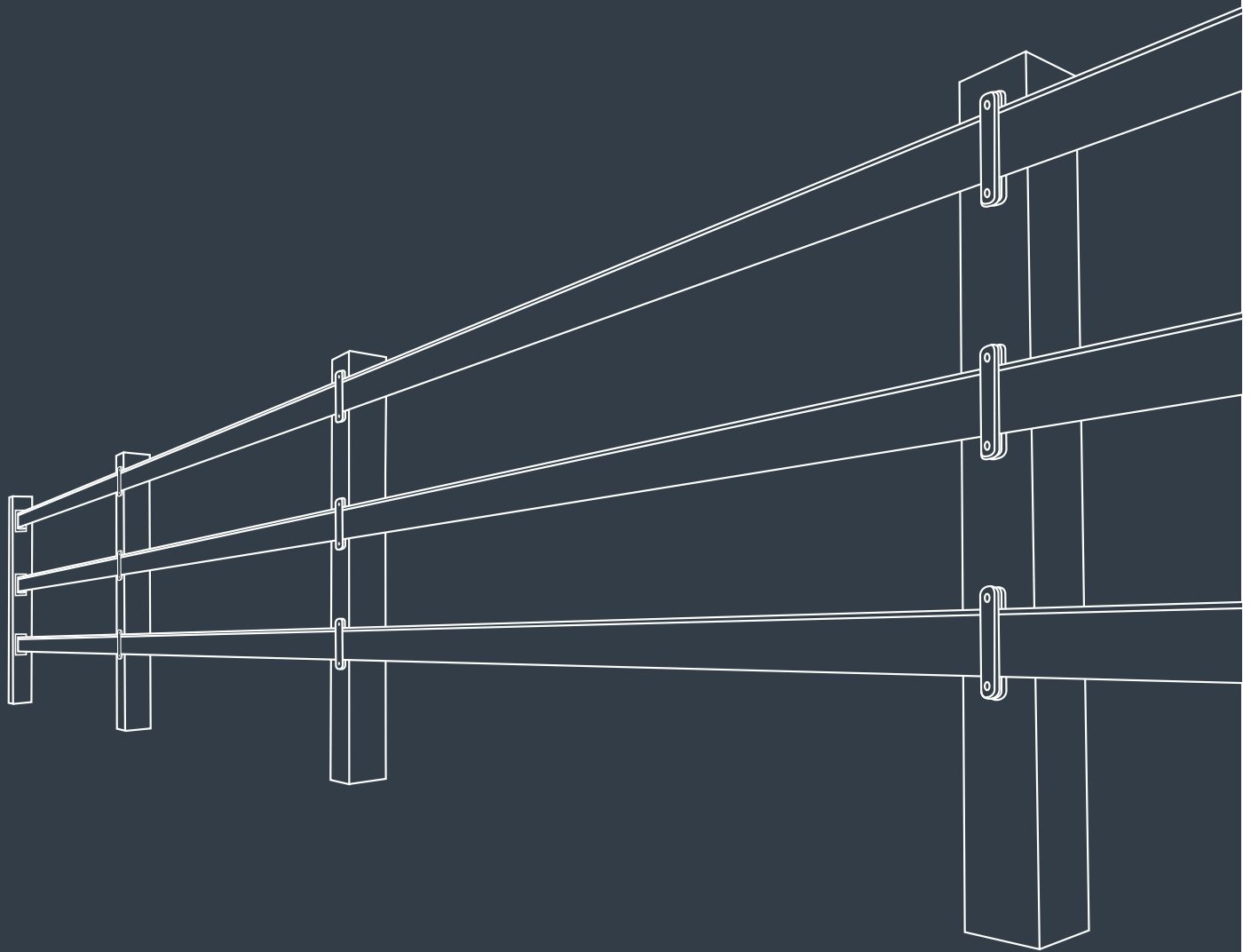


Rural Fencing Zappa Rail.

Installation Guide



Getting Started

Congratulations on your new Think Fencing Zappa Rail Fence System.

Zappa Rail is an innovative fencing solution featuring two high tensile wires built into the top and bottom of a flat rail. This remarkable rail can be easily electrified using a standard electric fence energiser.

Zappa Rail Fencing Features:



DIY
Installation



Eco
Friendly



Australian
Made



Lifetime
Warranty



UV
Resistant



Electrofyable

Installation Tips

- ✓ We recommend a 4m post spacing. Zappa rail can accommodate up to a 6m spacing.
- ✓ If your run is over 100m, we recommend installing an Insul strainer on both ends to create sufficient tension.
- ✓ We recommend starting and stopping with a new Insul strainer and End Bracket on every corner and end.
- ✓ Due to Zappa Rail being tensioned much like a wire fence, you must have a sufficient End Assembly at the end of each run. End Assemblies are available through Think Fencing.
- ✓ If you need to join the Zappa Rail you can achieve this by purchasing a Zappa Rail joiner.
- ✓ Screwing the brackets in too hard can cause damage and make it difficult for the Zappa Rail to slide through the brackets.
- ✓ When unrolling, Zappa Rail can appear wavy. When tensioned it will straighten.
- ✓ Zappa Rail is easier to install on a warmer day. We also recommend re-tensioning the rail on the first warm day after installation, to eliminate any warps or twists.

Tools Required.

What you will need
to get the job done.



Tape Measure



Pencil



Wire Cutters



Drill with 8mm
Tek Head



Scissors or
Shape Knife



Shifter or
20mm Spanner



Safety Glasses

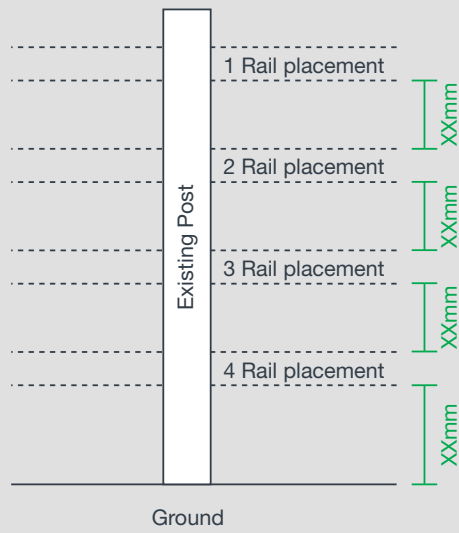


Screwdriver



Set Square

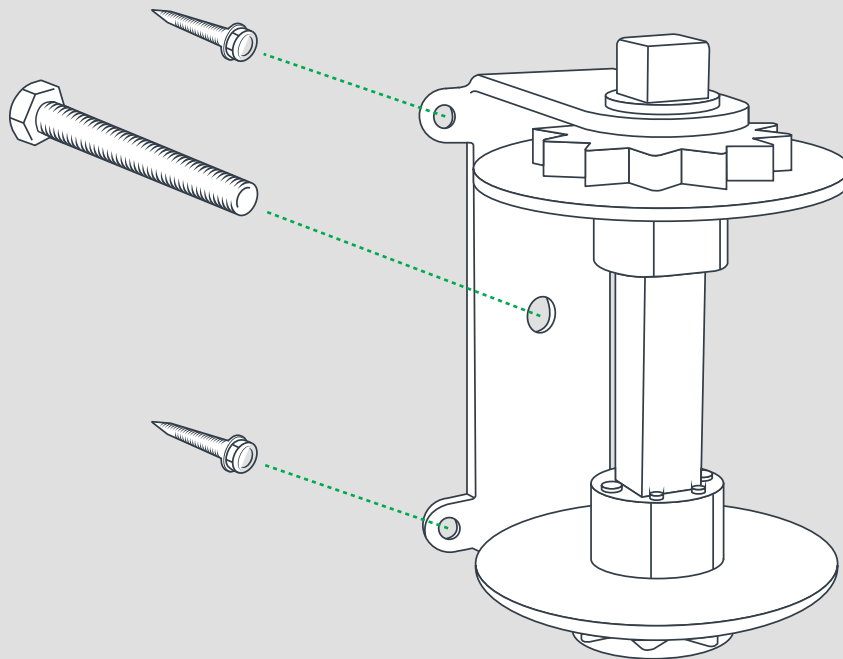
Note: Depending on the size and type of post you will need to obtain a nut and bolt to go through the post and centre hole of the insul strainer (refer to step 2).



1

Measure out your rail spacing. Spacing between rails are varied based on your specific requirements.

What you will need:



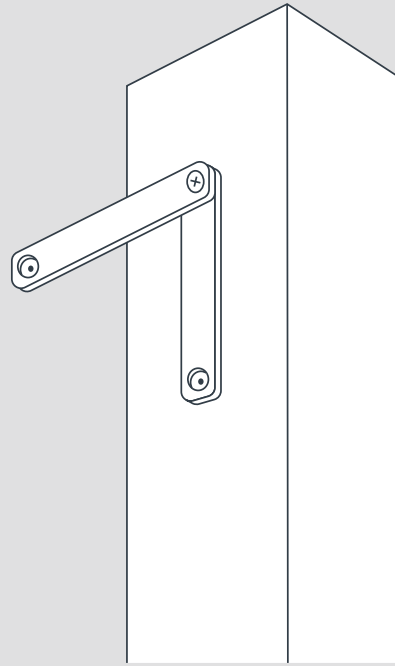
2

Screw the Insul strainer directly to the post using four Tek screws on each corner with a nut and bolt through the middle of the Insul strainer.

What you will need:



3

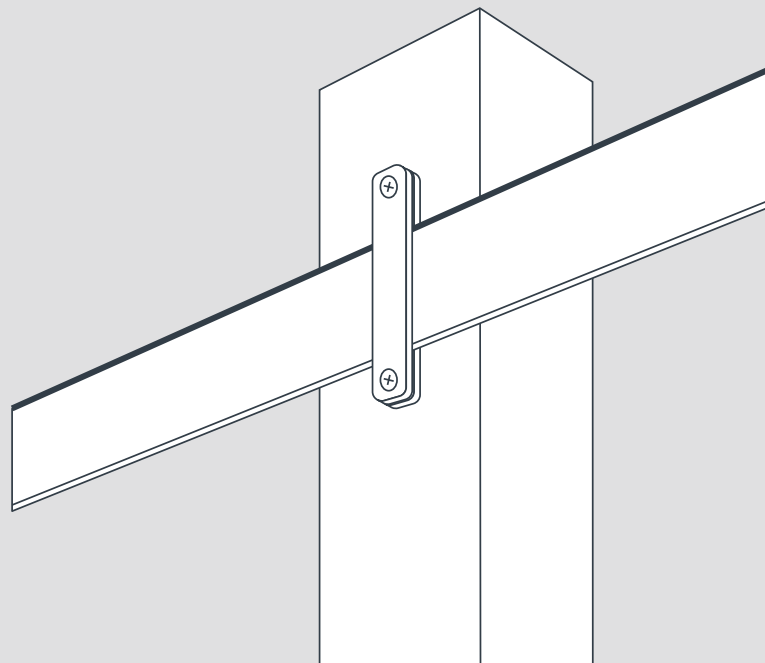


Screw the top of each bracket onto each post along the fence run using a Tek screw. Do not screw the bottom of the bracket.

What you will need:



4

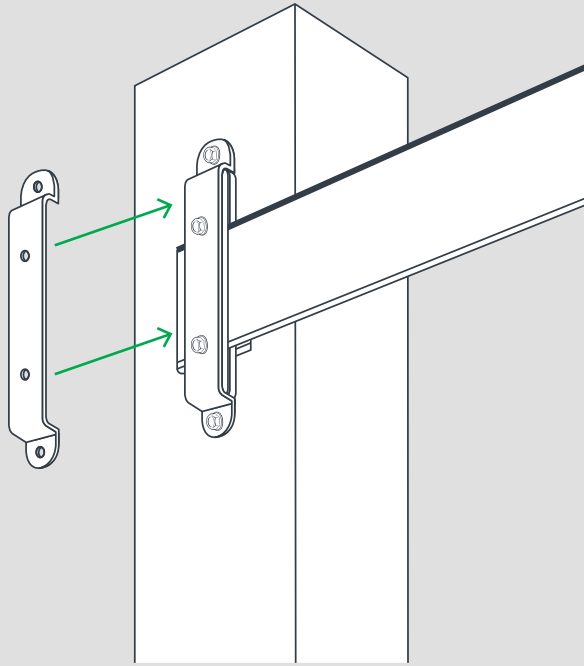


Roll the Zappa Rail out along the fence run. Slide the Zappa Rail into the bracket and drive a Tek screw through the bottom hole.

What you will need:



5



Once you reach the end post (opposite end to where you have installed the Insul strainer) fold the Zappa Rail back on itself, thread it through a bracket and screw in both sides of the bracket using four Tek screws.

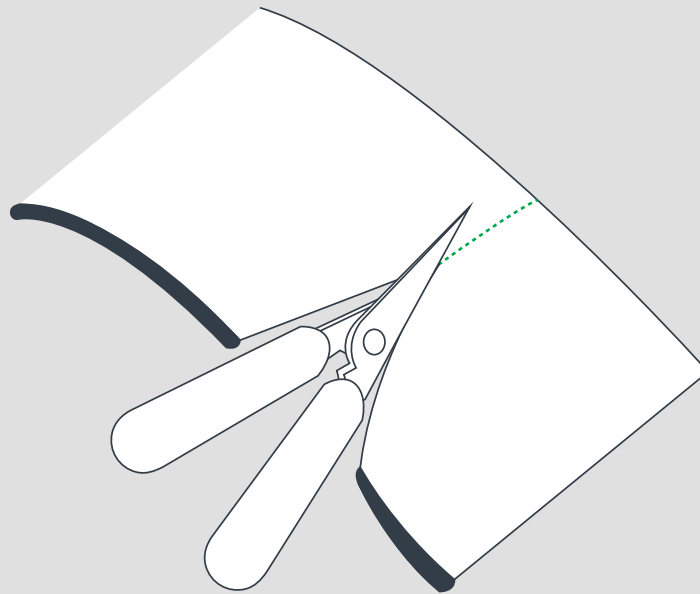
If you are electrifying the fence you will need to place the rubber behind the rail before screwing the bracket onto the post.

Then place the Steel End Bracket over the plastic bracket and screw in using four Tek screws.

What you will need:



6

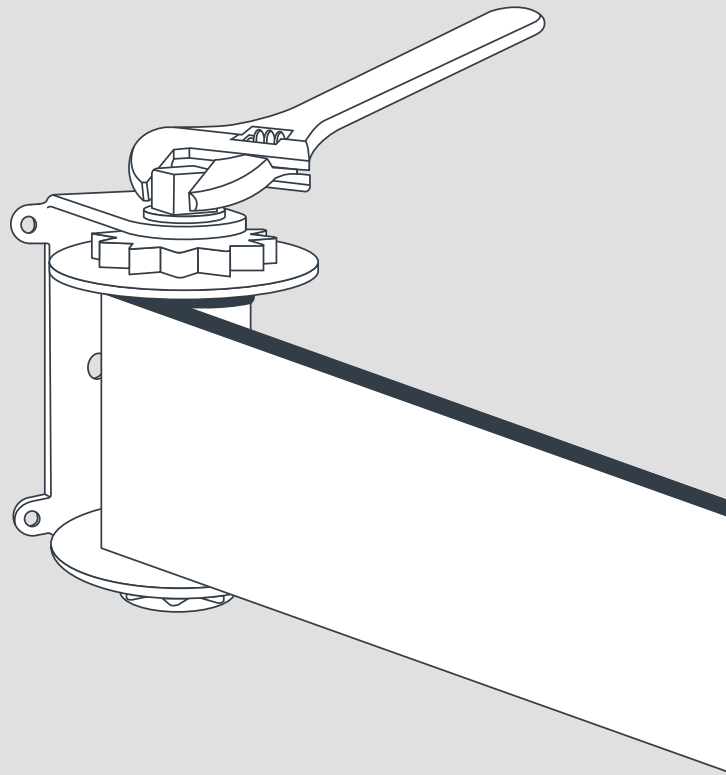


Go back to the post with the Insul strainer. Pull the Zappa Rail tight by hand and mark where you need to cut the rail. Make sure you leave an extra 100mm to thread through the Insul strainer. Use a set square to mark a square out. Cut both wires using wire cutters, then using a sharp knife or scissors cut through the plastic.

What you will need:



7



Thread the Zappa Rail in in-between the rod and core of the Insul-strainer. Tighten using a spanner on the top of the core bolt. The Zappa Rail will wrap around the rod and core creating tension.

If too much Zappa rail is wrapped around core you will not be able to create sufficient tension. In this case you must release the tension cut off excess Zappa rail and re-tension.

To release the tension you will need to tighten the Insul-strainer with a spanner and release the latch using a screwdriver.

*Be careful to not put your fingers near the latch when releasing tension.

What you will need:



Electrifying

- ✓ The black strip on the white Zappa Rail is the electrified side.
- ✓ The black Zappa Rails electrified side is glossier than the rest of the rail.
- ✓ When you receive your Zappa Rail roll there is a sticker pointing to the electrified side. Take note of this.
- ✓ A standard electric fencing Energiser will work on Zappa Rail.
- ✓ Expose a section of wire large enough to enable you to connect an electric fence terminal lug. This can be done with a sharp knife.



thinkfencing
The Thoroughbred of Fences

Head Office:

2415 Geelong/Portarlinton Road,
Portarlinton, 3223 Victoria Australia

P. +613 5259 2555

E. sales@thinkfencing.com.au

www.thinkfencing.com.au