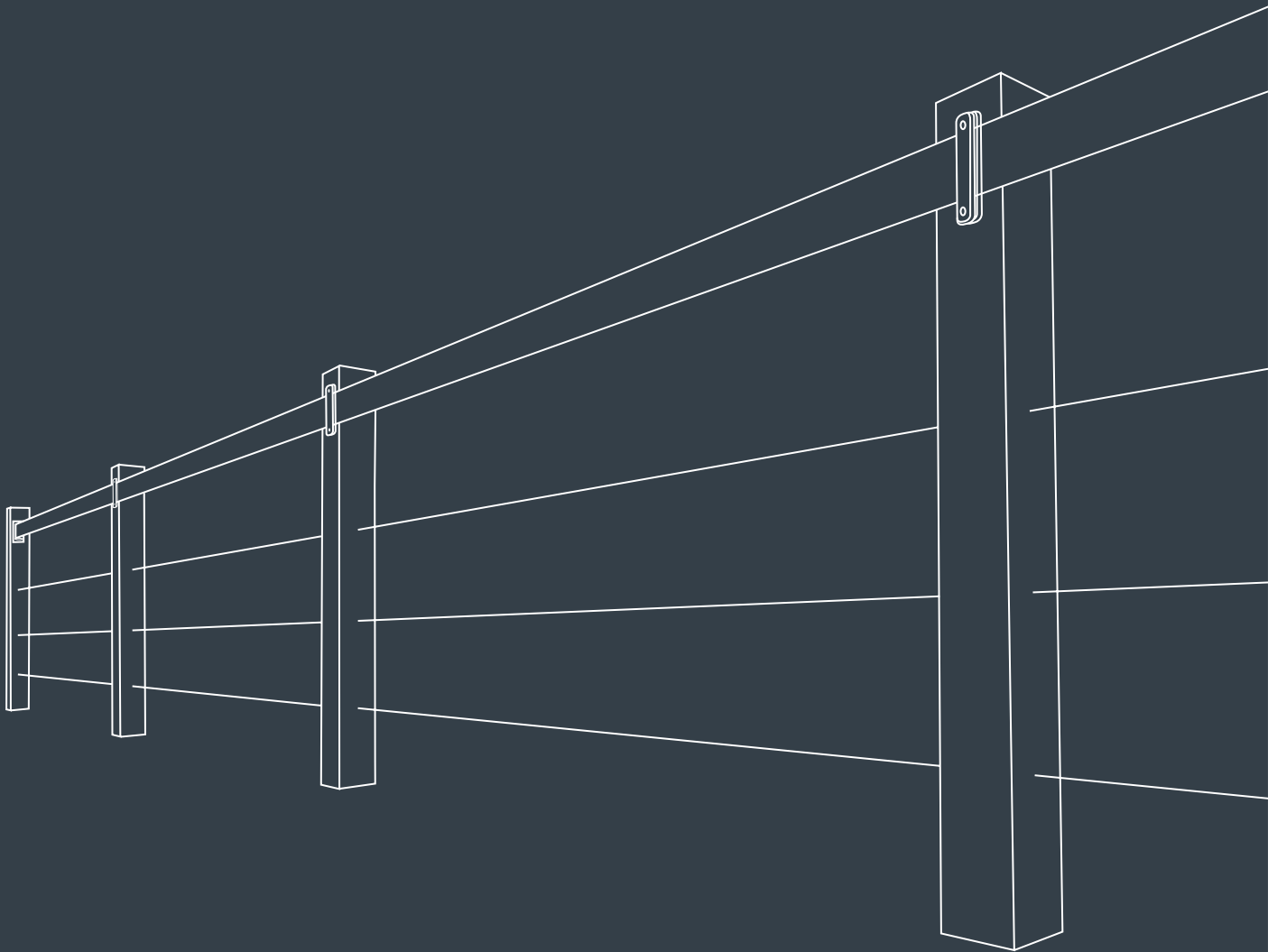


# Rural Fencing Equirail.

## Installation Guide



**thinkfencing**  
The Thoroughbred of Fences

# Getting Started

Congratulations on your new Think Fencing Equirail Fence System.

Equirail is a handsome and cost effective horse safe fence rail solution. It is visible, flex-able making it super safe for horses and cattle. It can be attached to existing timber or steel posts or be used on our range of vinyl posts.

## Equirail Fencing Features:



DIY  
Installation



Eco  
Friendly



Australian  
Made



Lifetime  
Warranty



UV  
Resistant

## Installation Tips

- ✓ We recommend a 4m post spacing. Equirail can accommodate up to a 6m spacing.
- ✓ If your run is over 100m, we recommend installing an Equi Tensioner on both ends to create sufficient tension.
- ✓ For sufficient tension, we recommend starting and stopping with a new Equi Tensioner on each corner and end.
- ✓ The Equirail can be joined using two nuts and bolts.
- ✓ Do not over tighten brackets.
- ✓ Equirail is easier to install on a warmer day.
- ✓ It is recommended to re-tension Equirail on the first warm day after installation.

# Tools Required.

What you will need  
to get the job done.



Tape Measure



Pencil



Drill with 8mm  
Tek Head

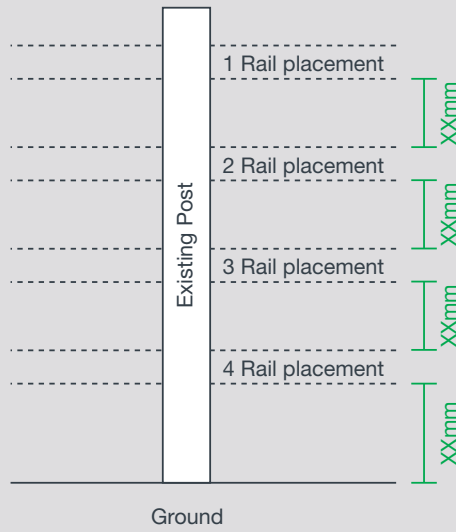


Scissors or  
Shape Knife



Safety Glasses

# 1

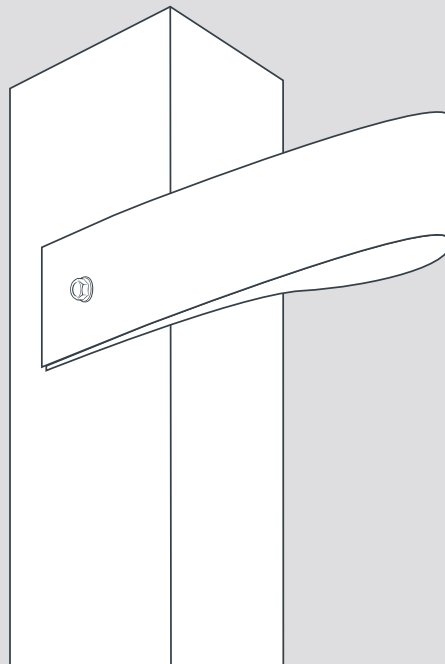


Measure out your rail spacing. Spacing between rails are varied based on your specific requirements.

What you will need:



# 2

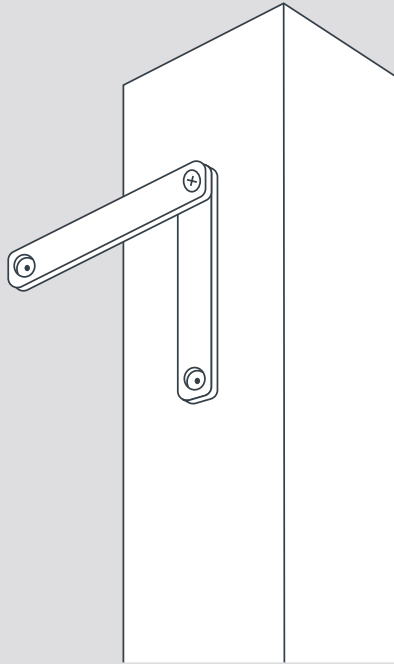


Cut a 300mm section of Equirail from the roll. Thread this through the Equi Tensioner between the bolt and handle, overlap this section and screw into post.

What you will need:



# 3

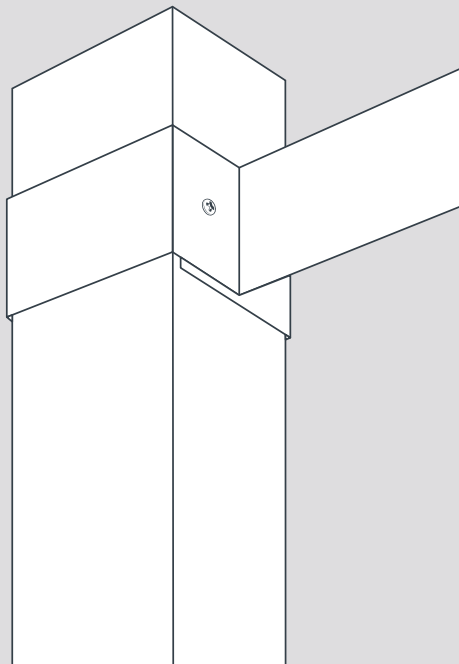


Screw the top of each bracket onto each post along the fence run using a tek screw. Do not overtighten as you will need to slip the Equirail into the bracket before screwing the bottom of the bracket in.

What you will need:



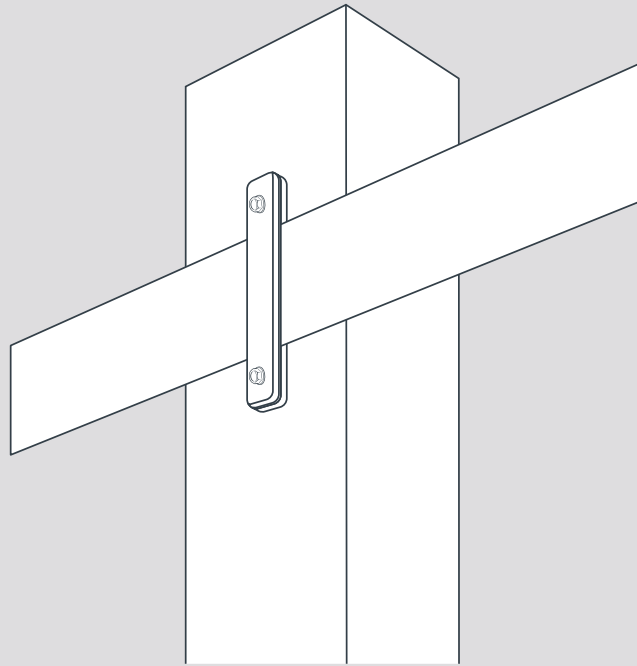
# 4



Roll the Equirail out along the fence run. Once you reach the end post (opposite end to where you have installed the Equi Tensioners) wrap the Equirail around the post overlapping two layers and drive a tek screws through both layers and into the post.

What you will need:

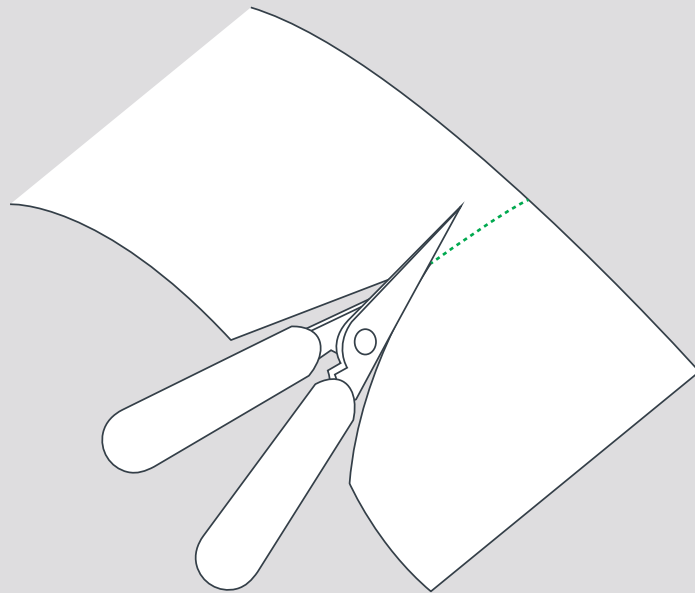




5

Slide the Equirail into the bracket and screw the bottom of the bracket using a tek screw.

What you will need:

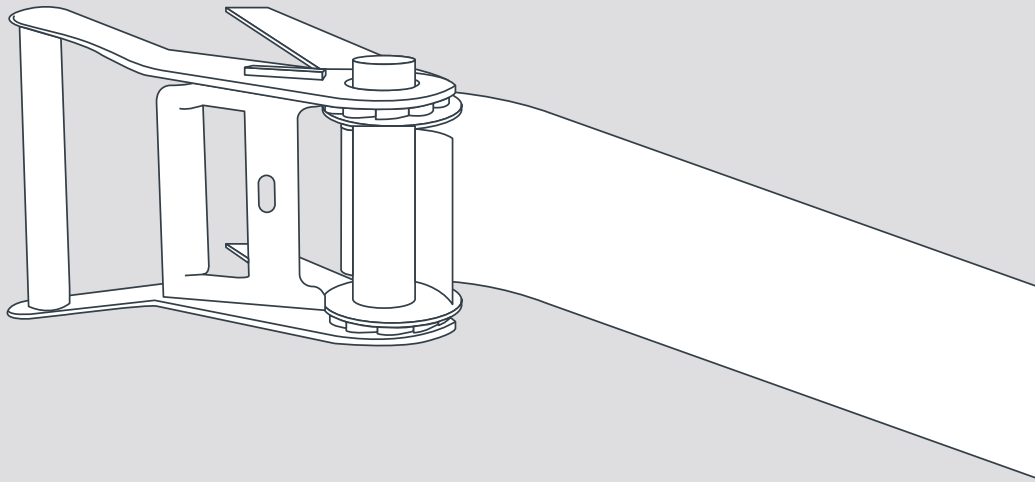


6

Go back to the post with the Equi Tensioner. Pull the Equirail tight by hand and mark where you need to cut the rail. Make sure you leave an extra 10cm to thread through the Equi Tensioner.

What you will need:





# 7

Open the Equi Tensioner and thread the Equirail through the big slot in the core and ratchet to tighten. When you start to ratchet the tensioner, the Equirail should go around the core in a circular motion. If too much Equirail is wrapped around the core it will not tension sufficiently. This can be fixed by releasing the rail from the Equi Tensioner, cut off the excess Equirail and repeat the tensioning process.

---



**thinkfencing**  
The Thoroughbred of Fences

**Head Office:**

2415 Geelong/Portarlington Road,  
Portarlington, 3223 Victoria Australia

**P.** +613 5259 2555

**E.** [sales@thinkfencing.com.au](mailto:sales@thinkfencing.com.au)

**[www.thinkfencing.com.au](http://www.thinkfencing.com.au)**