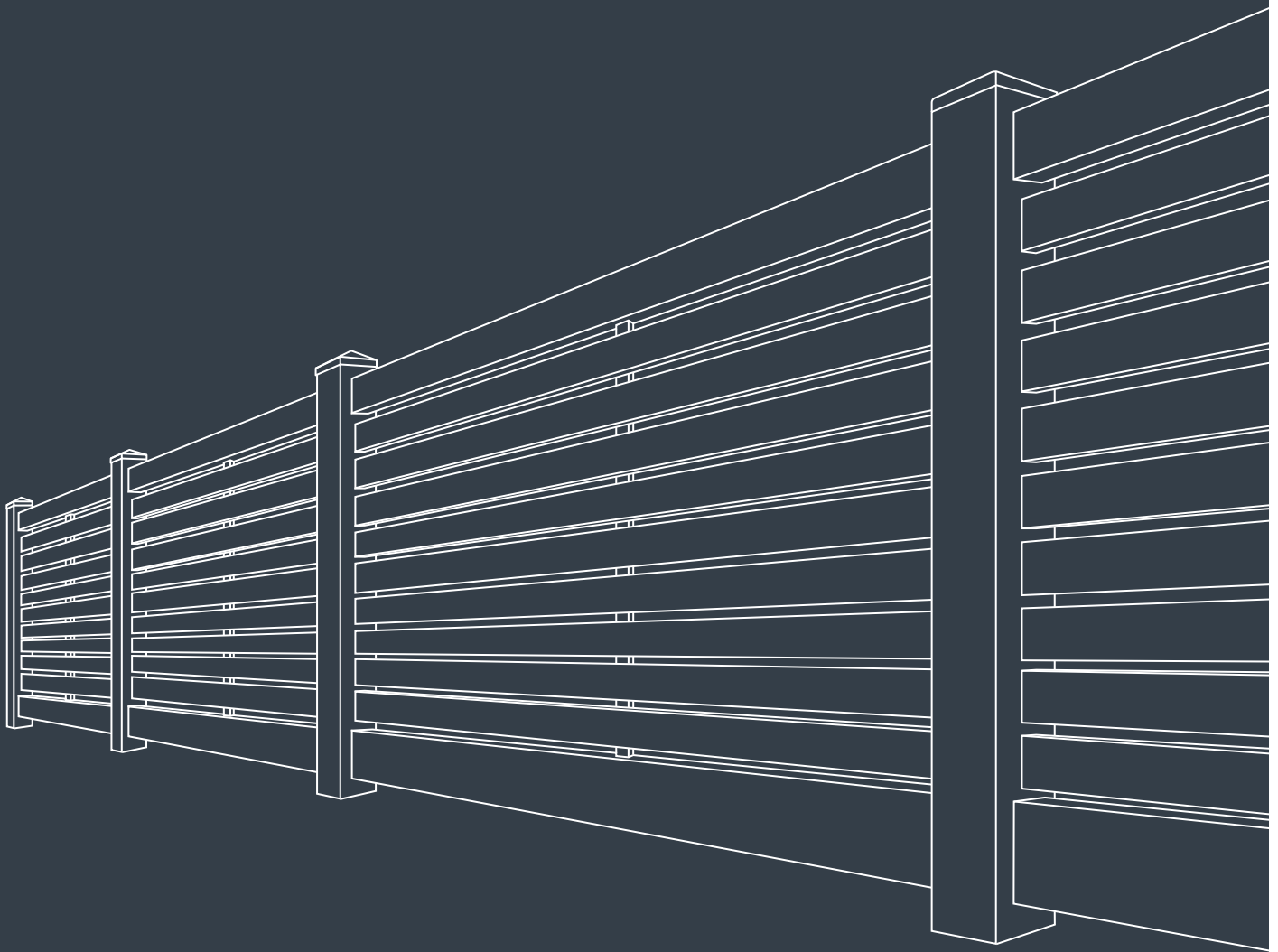


# Bellbrae Fencing Semi Privacy Screening.

## Installation Guide



**thinkfencing**  
The Thoroughbred of Fences



Bellbrae Fence – Woodgrain Pine and Beech

# Contents

Getting Started	4
Installation Tips	4.1
Shortening a Panel	4.2
Tools Required	5
Instructions	6

# Getting Started

Congratulations on your new Think Fencing Bellbrae Semi Privacy Screening Fence.

Modern, clean and open. Bellbrae Screening is perfect for boundary fences, patio screening, carports or just to hide cluttered corners. The slat style allows breezes and natural light flow, while increasing your household privacy in a clean-lined and modern manner.

## Bellbrae Fencing Features:



DIY  
Installation



Eco  
Friendly



Australian  
Made



Limited Lifetime  
Warranty



Never Paint  
Again



Graffiti  
Resistant

## Installation Tips - 4.1

- ✓ Install the fence on a still day as wind can make the string line move.
- ✓ Mow any grass and level fence line prior to allow for easier installation.
- ✓ For planning purposes each hole will require 0.045m<sup>3</sup> of concrete. **Do not use rapid set concrete.** It will continue to absorb moisture, expanding inside posts and voiding the warranty. Think Fencing recommends using premixed 25mpa/10mm aggregate.
- ✓ When concreting the post, Think Fencing recommend to first put the post into the ground, pour the concrete in, then lift and push it back into the concrete. This method allows the concrete to travel up the post core
- ✓ If you have sandy/loose soil, Think Fencing recommends that you increase your hole size and amount of concrete to create a bigger foundation.
- ✓ Creating a gauge with a piece of timber or plastic allows you to easily check the measurement between posts.
- ✓ Keep a rasp handy to open the slots up if the rail are difficult to slide in or if the fence is on a slope.
- ✓ The fence can already accommodate a 1-degree rake. Anything larger than this will require increasing the length of the slot by rasping it out on site or have Think Fencing provide custom routed posts.
- ✓ When crimping, make sure that the crimp is facing outwards. The crimp is designed to allow you to push the rail into the post but not pull out.

## Shortening a Panel - 4.2

- ✓ All PVC components can be cut using a saw or angle grinder to enable you to shorten a panel. When cutting rails, a general rule is to measure between posts and add 80mm (40mm each side of rail).
- ✓ If using a circular saw, it is recommended to use an Aluminium cutting blade for the best cut.

# Tools Required.

What you will need to get the job done.



Shovel



Tape Measure



Rasp



Pre Mix Concrete  
*\*not rapid set*



Line Marking Paint



String Line



Spirit Level



Silicon Gun/  
Clear PVC glue



Safety Glasses



Rubber Mallet



Crimper



Angle Grinder/  
Drop Saw



Drill or Impact Driver



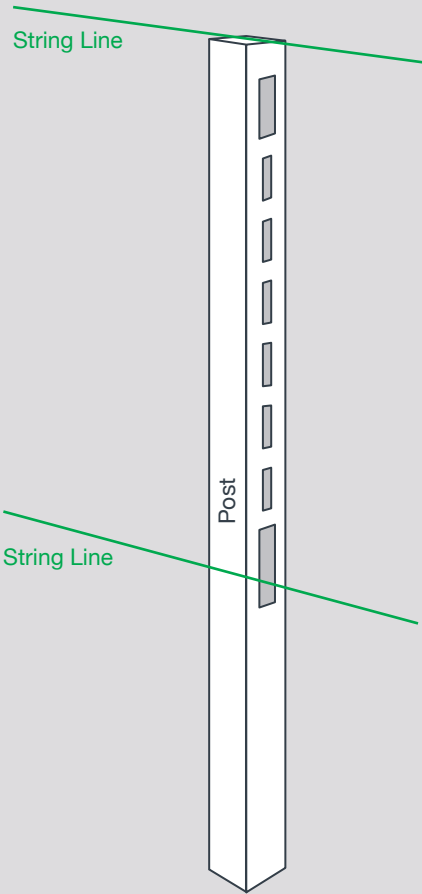
4mm Drill Bit



5/16 Tek Driver Bit

# 1

Prepare the site ensuring you don't have any significant undulations. You can then run two string lines, one along the top of the posts and one on the side of the posts.



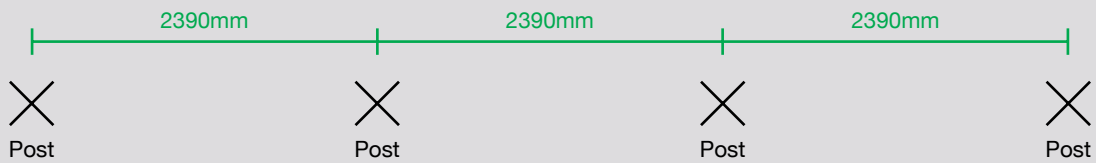
What you will need:



**Please Note:** Think Fencing recommends checking with location services or contacting dial before you dig to make sure it is safe to dig.

# 2

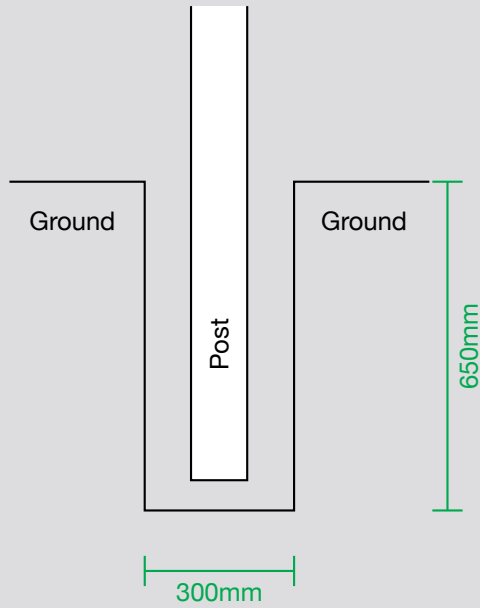
Mark your post centers as required using line marking paint. This is where you will auger/dig the holes.



What you will need:



# 3



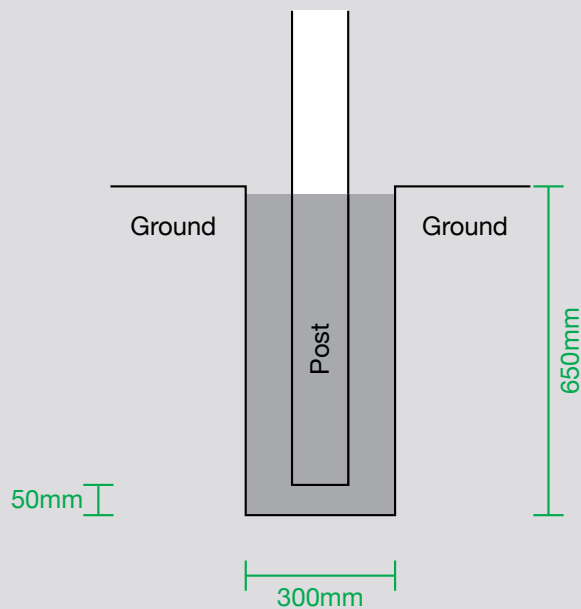
The holes must be at least 300mm wide and 650mm deep. The post needs to go into the concrete 600mm deep leaving a 50mm solid concrete foundation.

**Please note:** *If you have sandy/loose soil, Think Fencing recommends that you increase your hole size and amount of concrete to create a bigger foundation.*

What you will need:



# 4

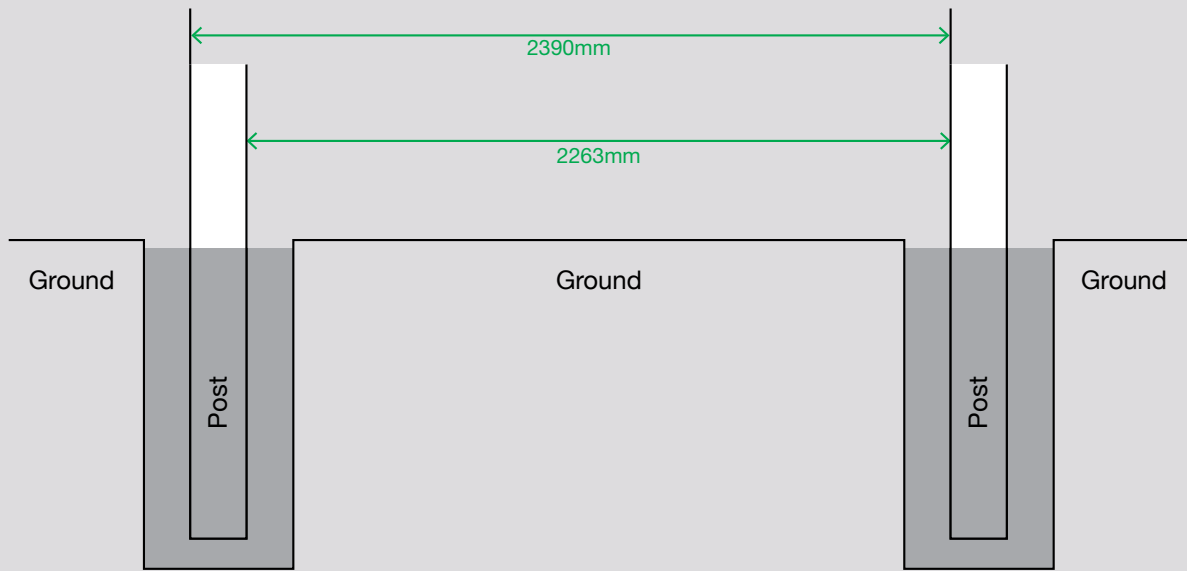


Fill the hole with wet mix concrete, then push the post into the hole allowing concrete to flow up the core of the post. Position the post using a string line and spirit level. Use the rubber mallet to fine tune the post height.

What you will need:



# 5



Concrete the next post.

Its easier to accurately measure the post spacing from the inside edge of two posts rather than the centres.

This measurement is the centre to centre post spacing that you used to mark the holes (as specified) minus the thickness of one post.

**For example:** Post spacing centre to centre (2390mm) minus thickness of one post (127mm) = 2263mm

What you will need:



# 6

Check post spacing then crimp both ends of the bottom and top rail twice on both sides.

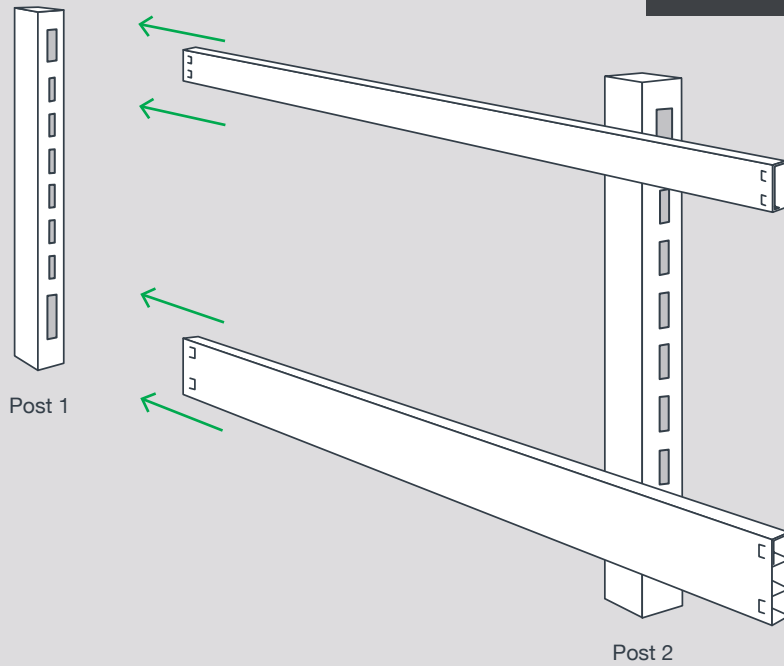
Also crimp both end on the pickets once on both sides.

What you will need:



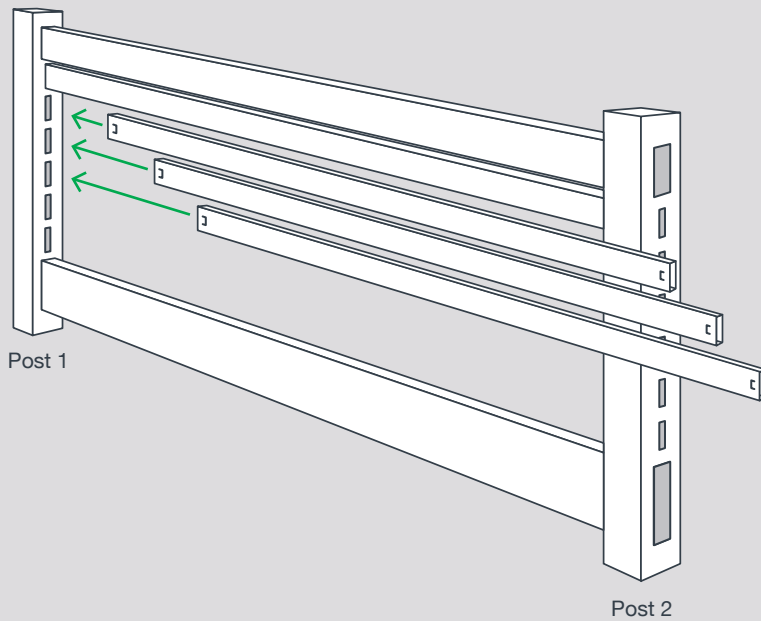


**Please note:** The rails will have side to side movement if the crimping marks are too far apart. To combat this you can add screws to the back of your posts hold the rails in place.



# 7

After the post concrete has set slide the top and bottom rails into the pre-routed slots. You will need to push the rail all the way into the first post to enable you to push it into the second post.



# 8

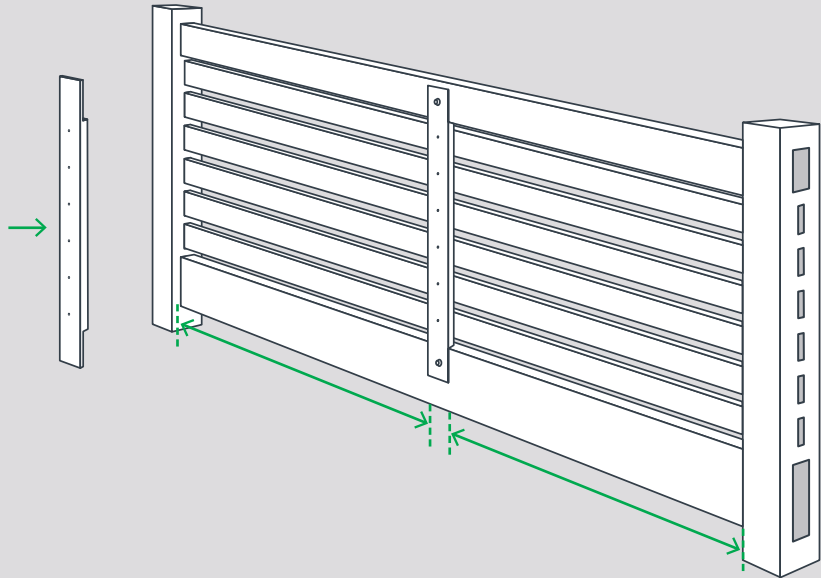
Slide into the pre-routed slots on the post. You will need to push the pickets all the way into the first post to enable you to push into the second post.

### Back-brace

← Notched out for Top Rail

Section to screw into pickets →

← Notched out for Bottom Rail



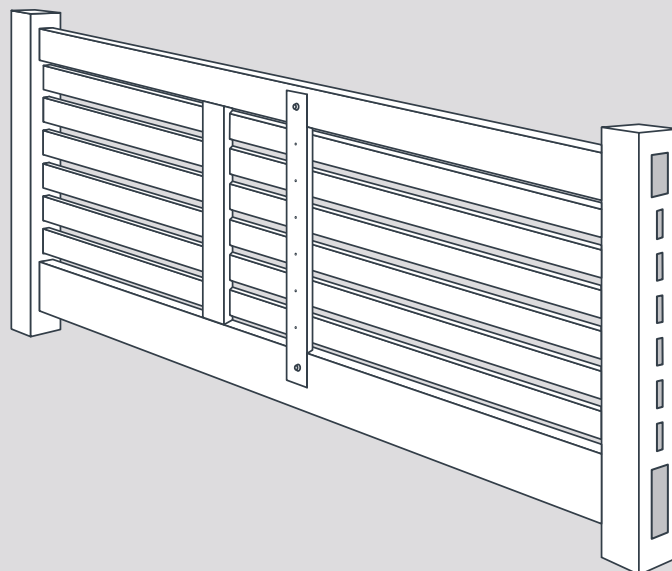
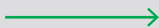
# 9

On the inside of the property, align the back-brace in the centre of the fence between posts. Fix to top and bottom rail with 40mm screws provided.

What you will need:



### Jig

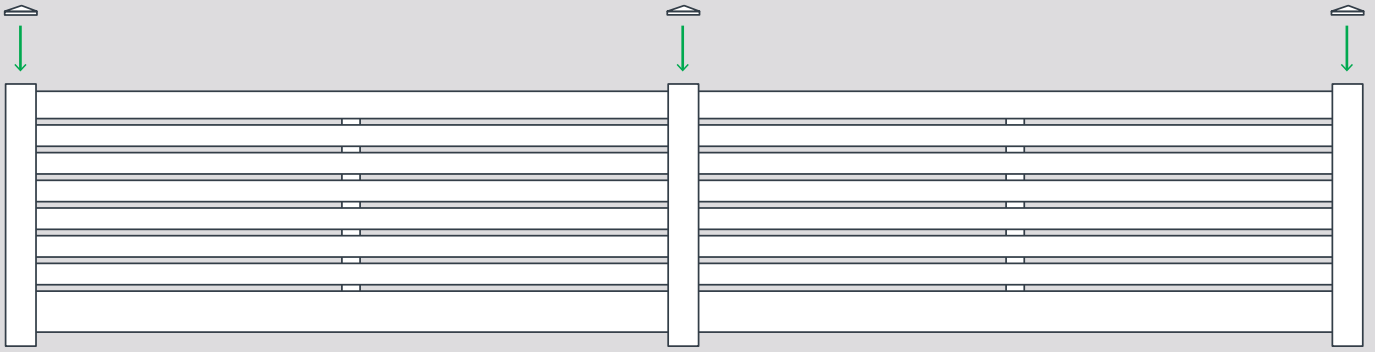


# 10

Using the jig supplied as a picket spacer, gently push the fingers between the pickets to set the perfect spacing. Fix the pickets to the back-brace using the 40mm screws provided and remove the jig.

What you will need:





# 11

Finish by placing the post caps on using clear silicone or clear PVC pipe glue.

**Please note:** be careful if applying glue, spread evenly inside the cap so no glue runs down the fence post.

What you will need:





**thinkfencing**  
The Thoroughbred of Fences

**Head Office:**

2415 Geelong/Portarlington Road,  
Portarlington, 3223 Victoria Australia

**P.** +613 5259 2555

**E.** [sales@thinkfencing.com.au](mailto:sales@thinkfencing.com.au)

**www.thinkfencing.com.au**