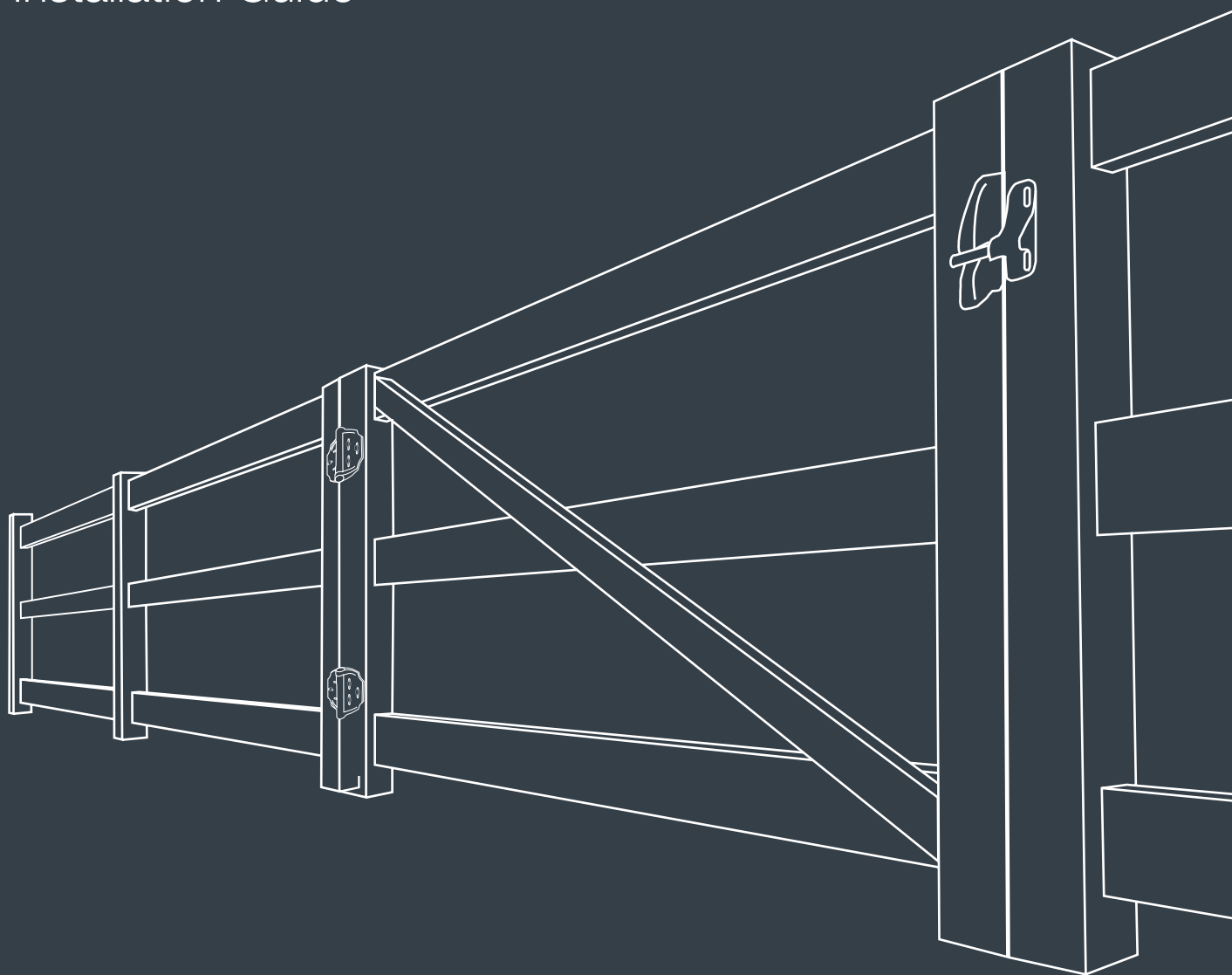


# Residential & Rural Fencing Gates.

Installation Guide



**thinkfencing**  
The Thoroughbred of Fences

# Getting Started

Congratulations on your new Think Fencing Gate System.

Strong and beautiful would be one way to describe a Think Fencing gate. Gates are an often overlooked part of any fence. Gates are the only moving part of your fencing system, they must withstand constant opening and closing, banging and crashing with the occasional “kid swinging”.

Our gates are manufactured using a internal steel sub-frame ensuring your gate will withstand the test of time, all hinges are specifically designed for PVC gates and are adjustable once installed making installation a breeze.

## Gate Features:



DIY  
Installation



Eco  
Friendly



Australian  
Made



Lifetime  
Warranty



Never Paint  
Again



Graffiti  
Resistant

## Important Information

If installing a gate onto a PVC post you will need to re-enforce the post with concrete to accommodate the weight of the gate.

Depending on the size of your gate and soil type, you may need to create a larger foundation than required for a standard post. This does not require you to have a larger post. For example: For a 700mm wide x 1000mm deep footing, the post only needs to be 600mm into the footing, therefore you will not require longer posts.

It is advisable to install the gate posts at least 600mm into the concrete footing.

# Tools Required.

What you will need  
to get the job done.



Shovel



Tape Measure



Pencil



Clamps



Wet Mix Concrete



String Line



Spirit Level



Drill or Screwdriver



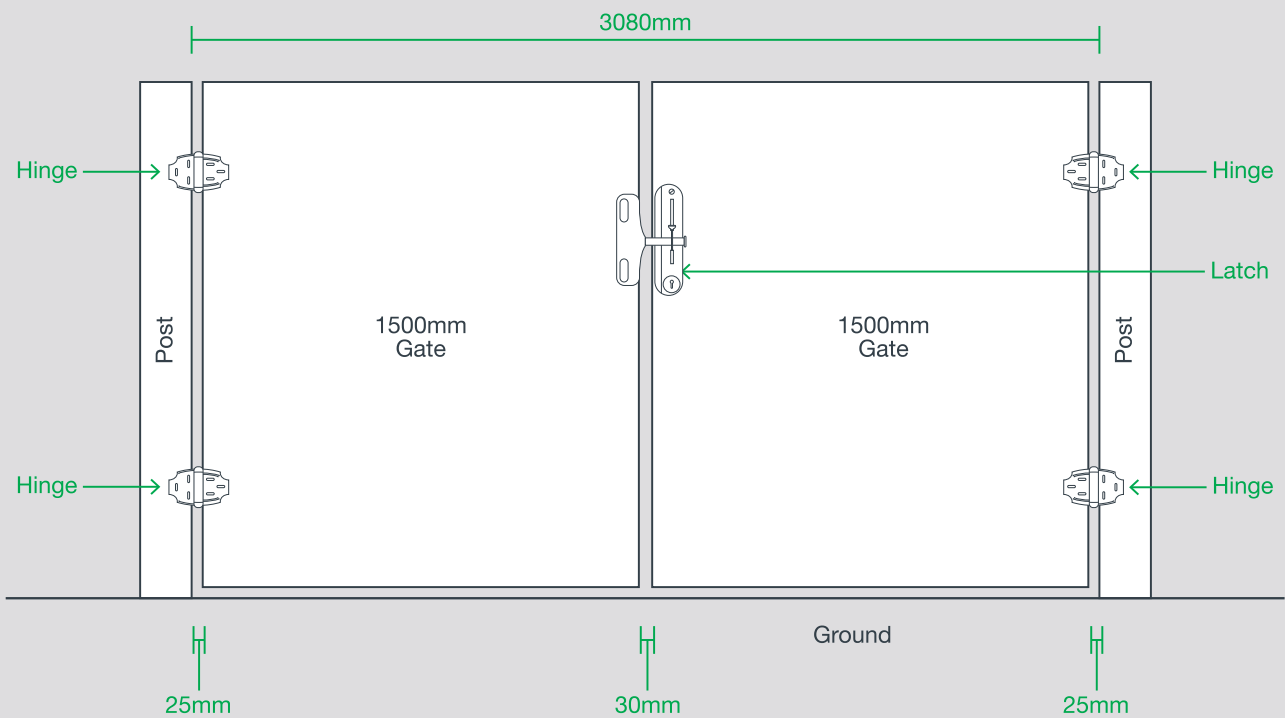
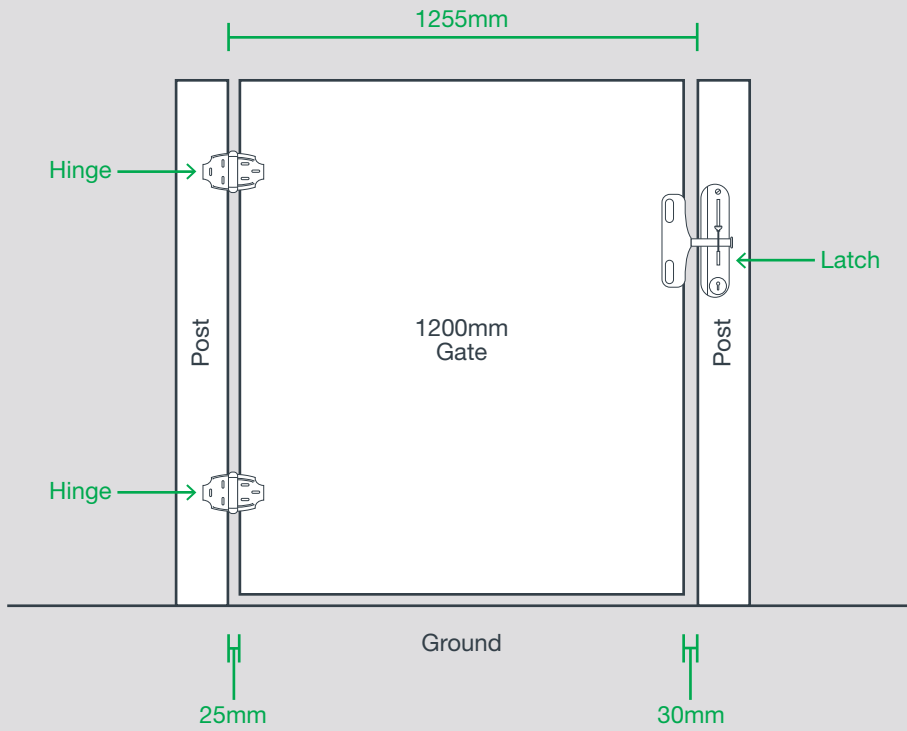
Masking Tape



Safety Glasses



Line Marking Paint



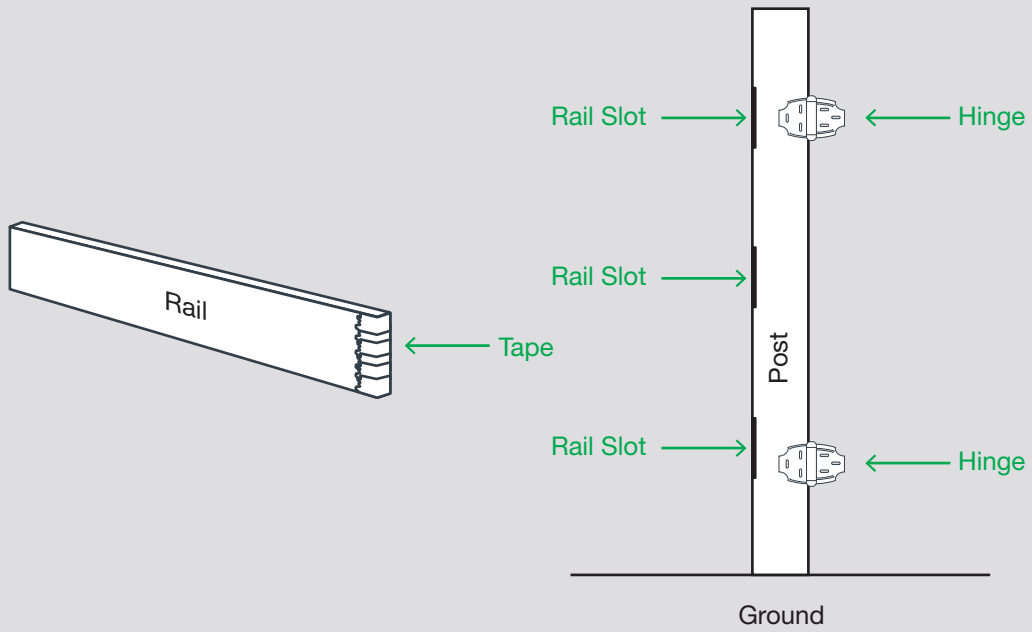
# 1

Mark out your posts to the correct spacing ensuring you allow 25mm for hinges and 30mm for the latch on top of the gate width.

For example: If you have a 1200mm gate you will need to set the posts out 1255mm from inside edge to inside edge.

What you will need:

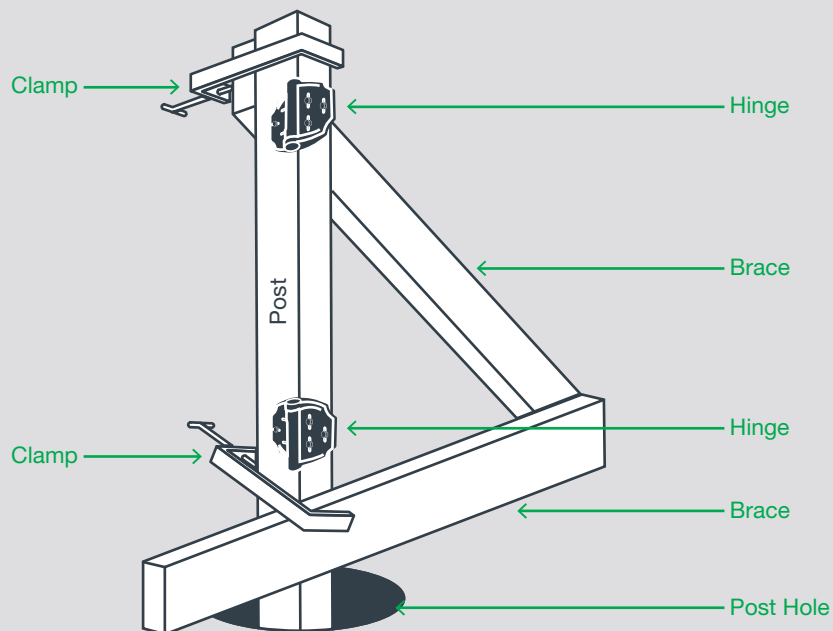




## 2

If your fence attaches to a gate post you must seal the end of the rails going into the gate post by placing adhesive tape over the rail end. This prevents concrete from flowing into the rails

What you will need:



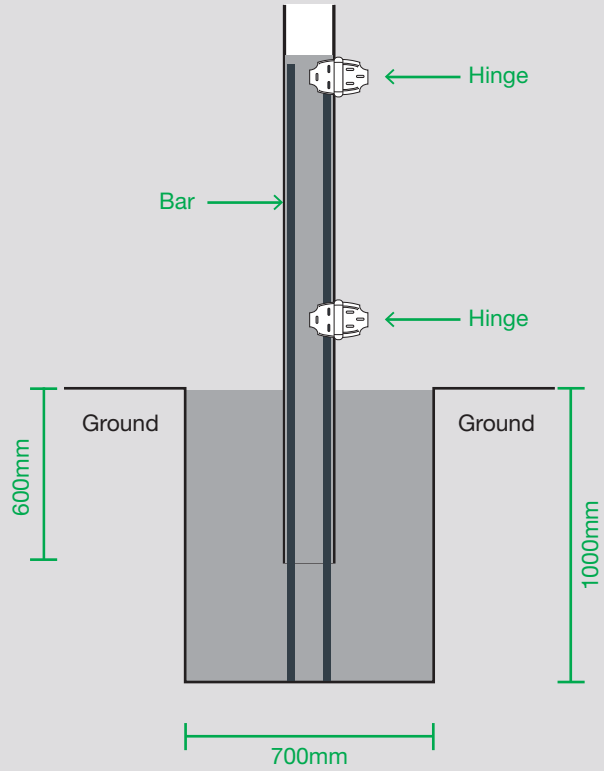
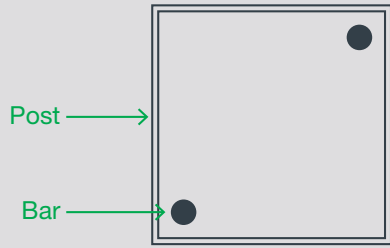
## 3

Fit gate hinges and latch to the post and test fit the gate to confirm correct spacing (refer to hinge & latch installation guide). Once confirmed remove the gate but keep the hinges and latch on the post. Prop and brace the posts into position using a piece of timber, steel or PVC off cut.

What you will need:



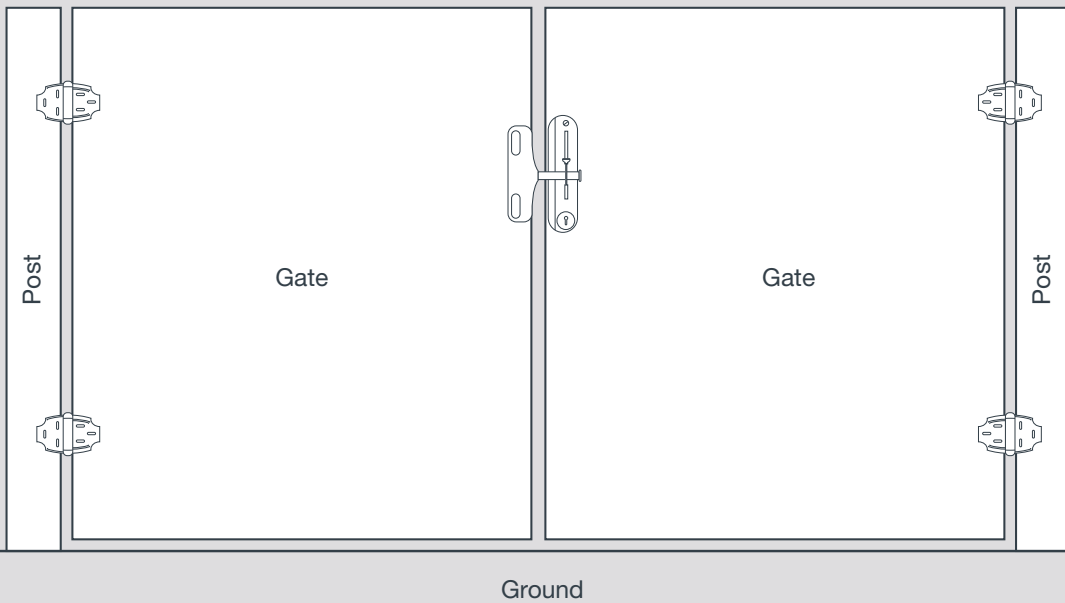
# 4



Drive two 12mm steel re-enforcing bars into the ground at least 50mm below the post and level with the top of the highest hinge. Set the bars apart so they are spaced on opposite corners ensuring they are not touching the edge of the post.

Fill the post hole and post core with wet concrete mix to the top of the highest hinge.

What you will need:

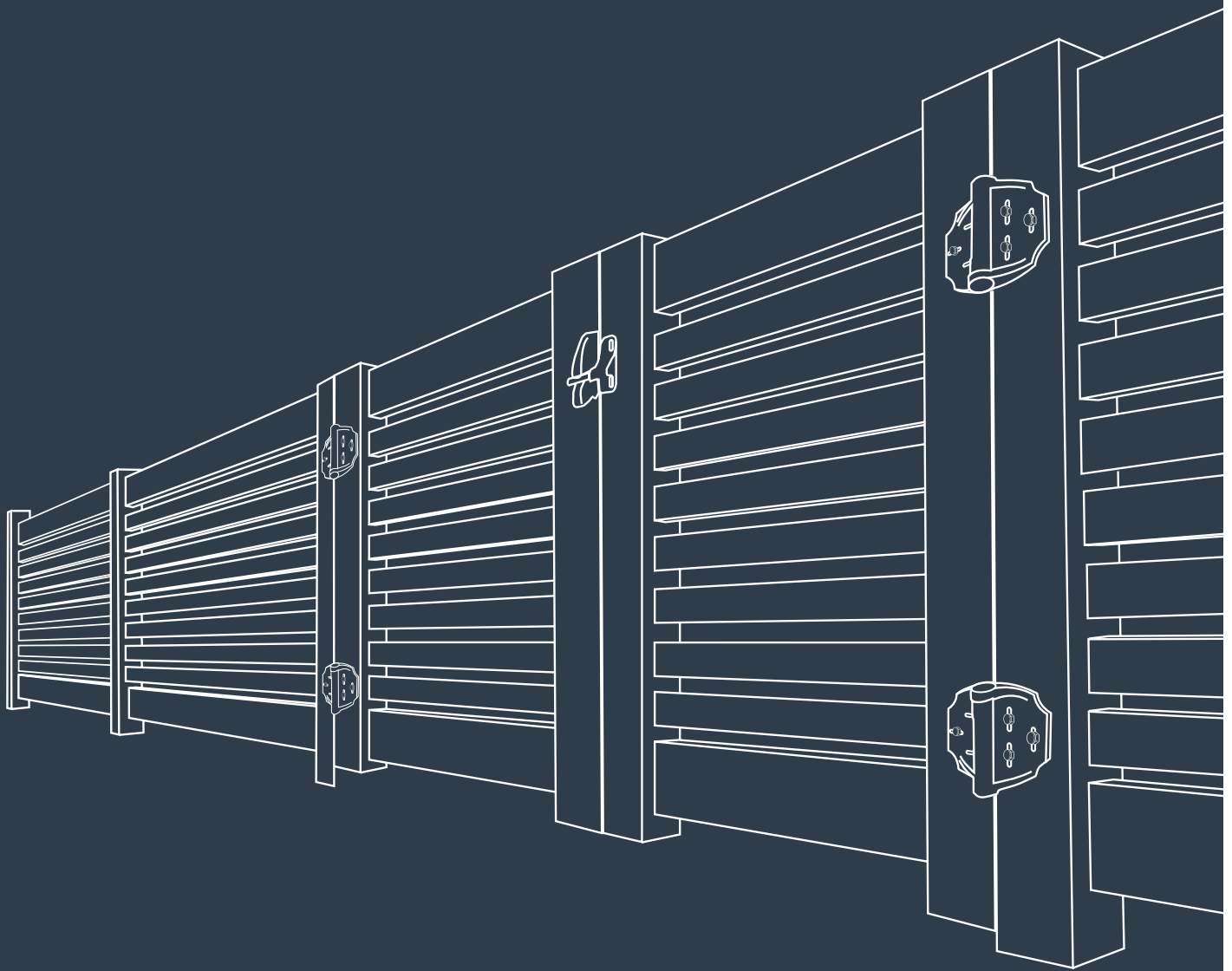


# 5

After concrete has set, remove the brace, attach the gate to the hinges and adjust accordingly. Refer to hinge & latch installation guide.

What you will need:







**thinkfencing**  
The Thoroughbred of Fences

**Head Office:**

2415 Geelong/Portarlington Road,  
Portarlington, 3223 Victoria Australia

**P.** +613 5259 2555

**E.** [sales@thinkfencing.com.au](mailto:sales@thinkfencing.com.au)

**[www.thinkfencing.com.au](http://www.thinkfencing.com.au)**